



# Second Security, Stability and Resiliency Review (SSR2)

10<sup>th</sup> Plenary Meeting | 9 May 2017

# Agenda

- ⦿ Updated SOIs & note apologies/absences
- ⦿ Johannesburg meeting – planning decision
- ⦿ Madrid meeting – review details, agenda
- ⦿ Briefing on IANA/PTI -- Sam Eisner, ICANN Deputy General Counsel and Elise Gerich, Vice President, IANA Services and President, Public Technical Identifiers (PTI)
- ⦿ AOB

# ICANN59 SSR2-RT Johannesburg Meeting

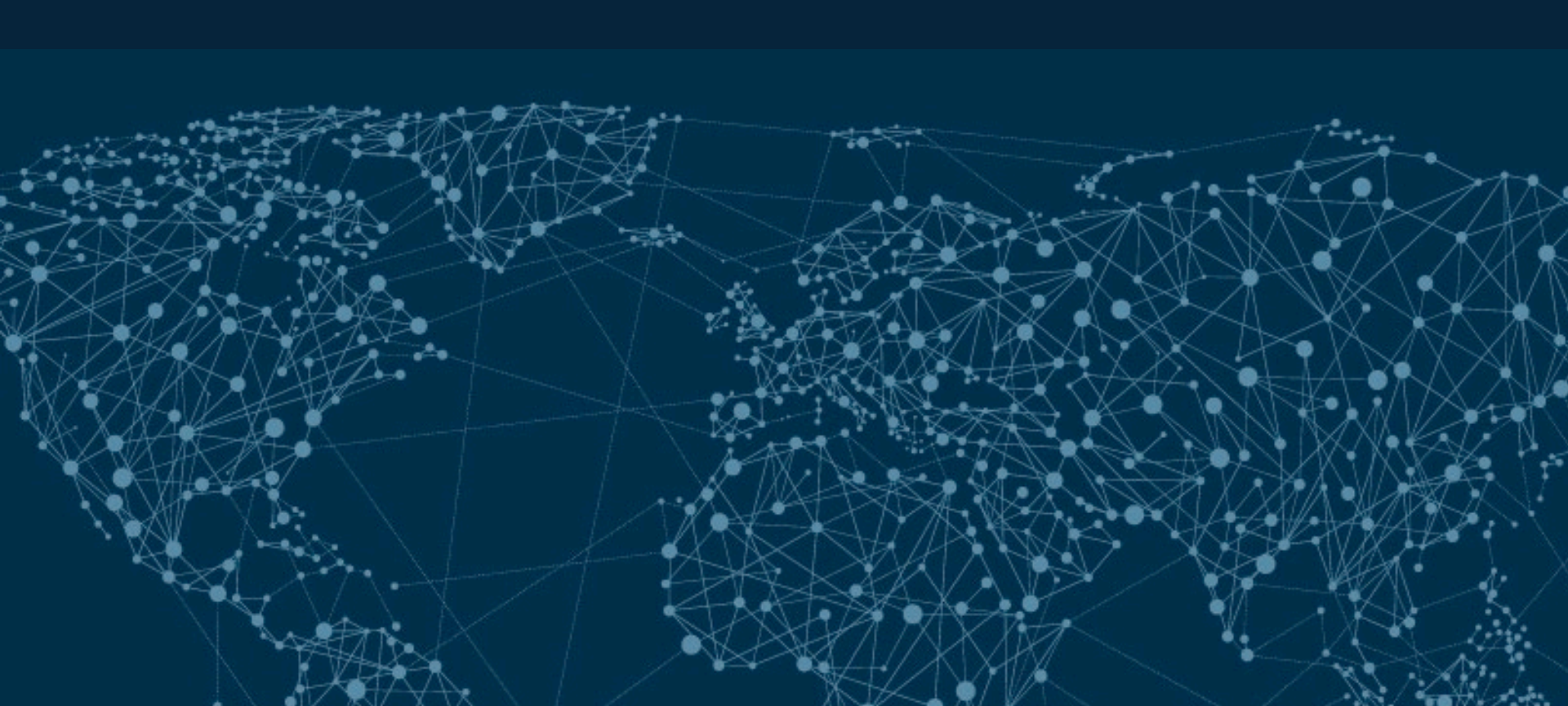
<b>Johannesburg Attendance Tally</b>		
<b>TEAM MEMBERS</b>	<b>JUNE 24 &amp; 25</b>	<b>JUNE 25 &amp; 26</b>
Alain Patrick Aina	NO	YES
Boban Krsic	NO	YES
Cathy Handley	NO	YES
Denise Michel	YES	YES
Don M. Blumenthal	YES	YES
Emily Taylor	NO	NO
Eric Osterweil	NO	YES
Geoff Huston	NO	NO
Jabhera Matogoro	NO	NO
James Gannon	YES	YES
Kaveh Ranjbar	YES	YES
Kerry-Ann Barrett	NO	NO
Mohamad Amin Hasbini	NO	NO
Noorul Ameen	NO	NO
Ram Krishna Pariyar	NO	NO
Žarko Kecić	YES	YES
<b><u>RESULTS:</u></b>	<b>11 – No</b>	<b>7 - No</b>
	<b>5 – Yes</b>	<b>9 – Yes</b>

# Madrid Meeting Details

- Friday, 12 May 2017 |  
ICANN DNS Symposium Meet & Greet Welcome Reception  
18:30 – 20:30 CEST
- Saturday, 13 May 2017  
ICANN DNS Symposium  
09:00 – 17:00 CEST | 07:00 – 15:00 UTC
- Sunday 14 May 2017  
SSR2-RT Meeting  
08:00 – 17:30 CEST | 06:00 – 15:30 UTC
- Monday 15 May 2017  
SSR2-RT Meeting Day 2  
08:00 – 17:30 CEST | 06:00 – 15:30 UTC

# SSR2-RT Madrid Meeting Agenda

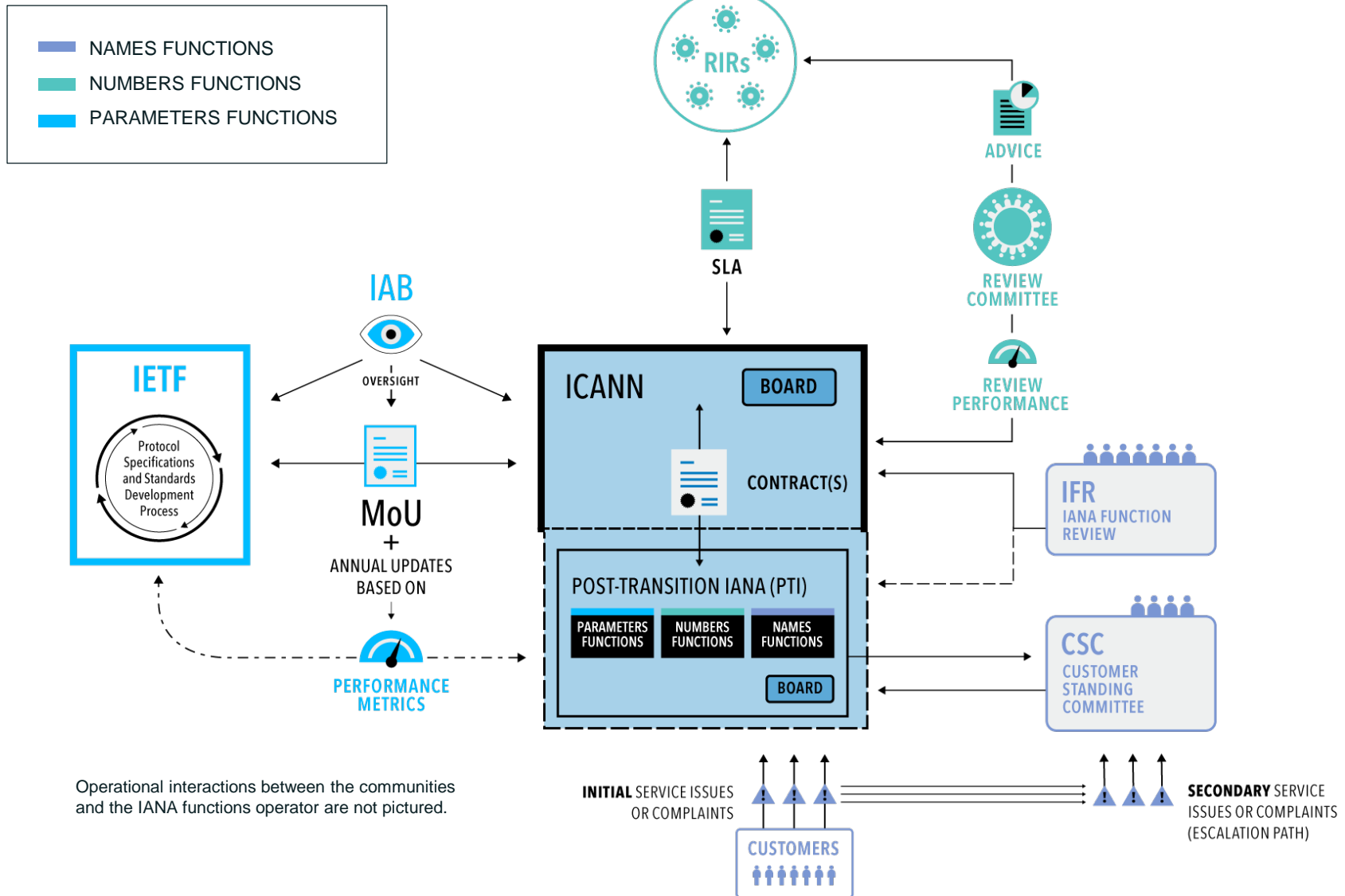
- ⦿ Review Meeting Details
- ⦿ Agenda Topics



# PTI-ICANN Relationship Overview

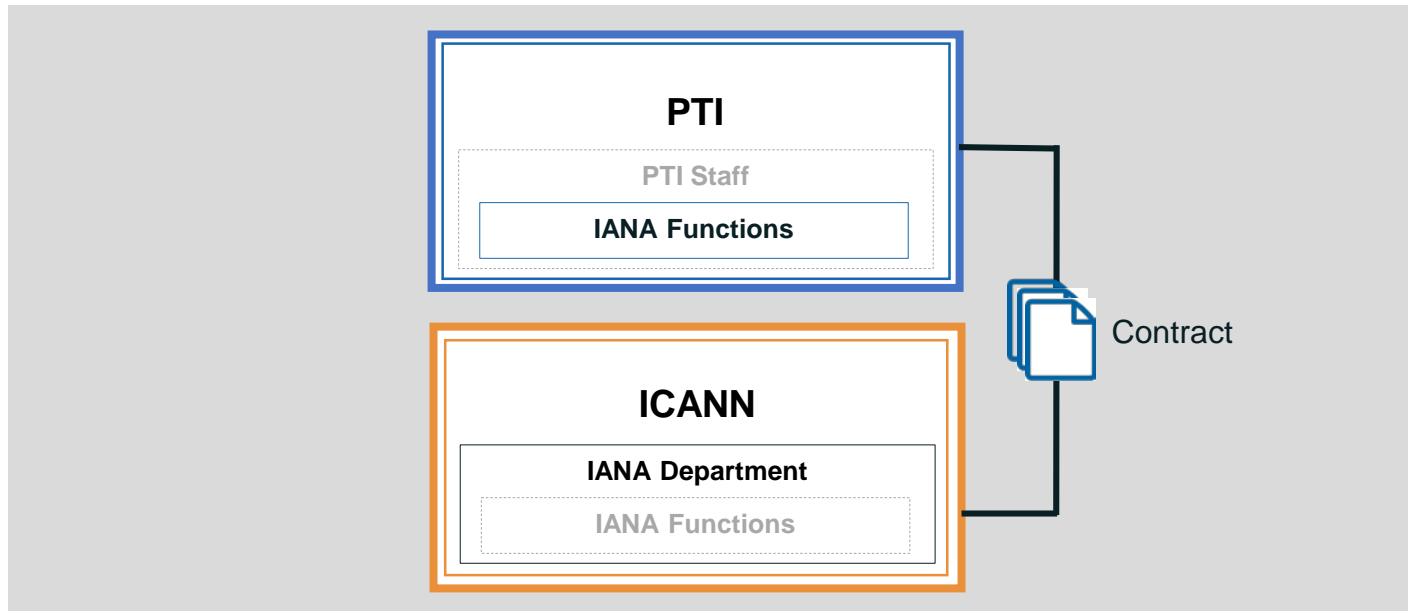
Samantha Eisner | SSR2 Call | 9 May 2017

# Combined ICG Proposal Overview



# What is PTI?

**Public Technical Identifiers (PTI)** is an affiliate of ICANN that is responsible for performing the IANA functions and delivering the IANA Services, on behalf of ICANN.



PTI implements agreed policies and principles developed by the ICANN multistakeholder community.



# PTI Overview

## Legal

- Nonprofit public benefit corporation
- ICANN is sole Member
- Domiciled in California
- 501(c)(3) tax status

## Organization

- Annual budget developed in consultation with the community
- 4-year strategic plan updated annually
- Annual independent financial audit of PTI financials

## Operations

- Perform name, protocol parameters, and number services via contract and subcontract with ICANN
- All resources required to perform services will be provided by ICANN

## Board

- 5 directors appointed by ICANN
- 3 from ICANN/PTI staff
- 2 elected by ICANN NomCom process

## Officers

- President – Elise Gerich
- Treasurer – Becky Nash
- Secretary – Samantha Eisner

## Staff

- No change in personnel performing the IANA functions
- Existing IANA department staff seconded from ICANN to PTI

# What Stays the Same?

**The definition of the IANA functions**

Domain Names, Numbering  
Resources, and Protocol Parameters

**The registries related to names,  
numbers and protocol parameters**

**Individuals performing the work**

IANA Department staff are seconded  
to PTI

**Location of the operational  
information**

The operational reports of the IANA  
services will remain on [iana.org](http://iana.org)

**Methods for submitting changes or  
updates to the registries**

# ICANN Ecosystem with PTI

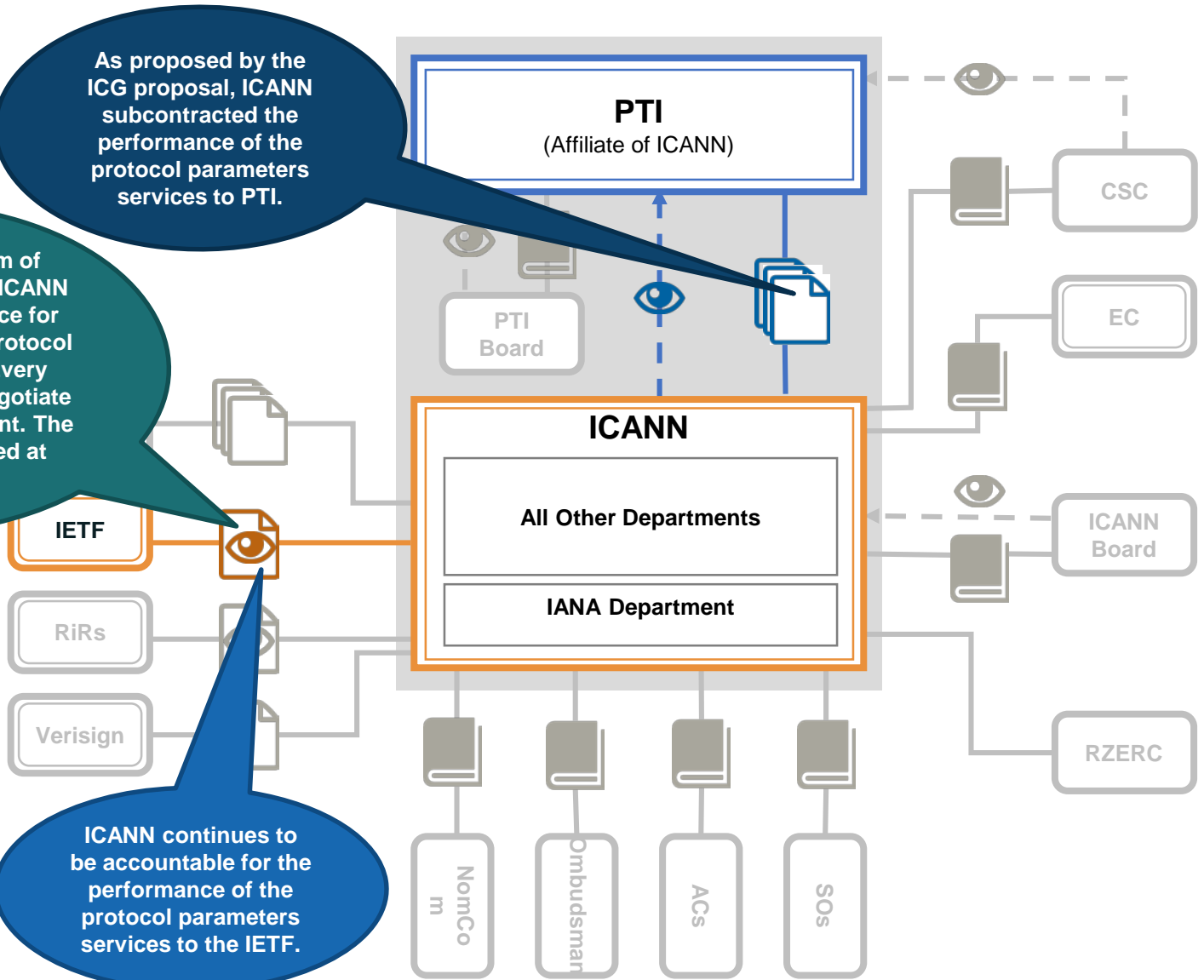
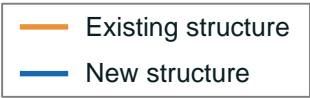
	Domain Names	Numbering Resources	Protocol Parameters
Oversight	CSC	Review Committee	IETF & IAB leadership
Policy	ICANN	ASO	IETF
Operations	PTI	ICANN (subcontracted to PTI)	ICANN (subcontracted to PTI)

# Relationship between IETF and PTI

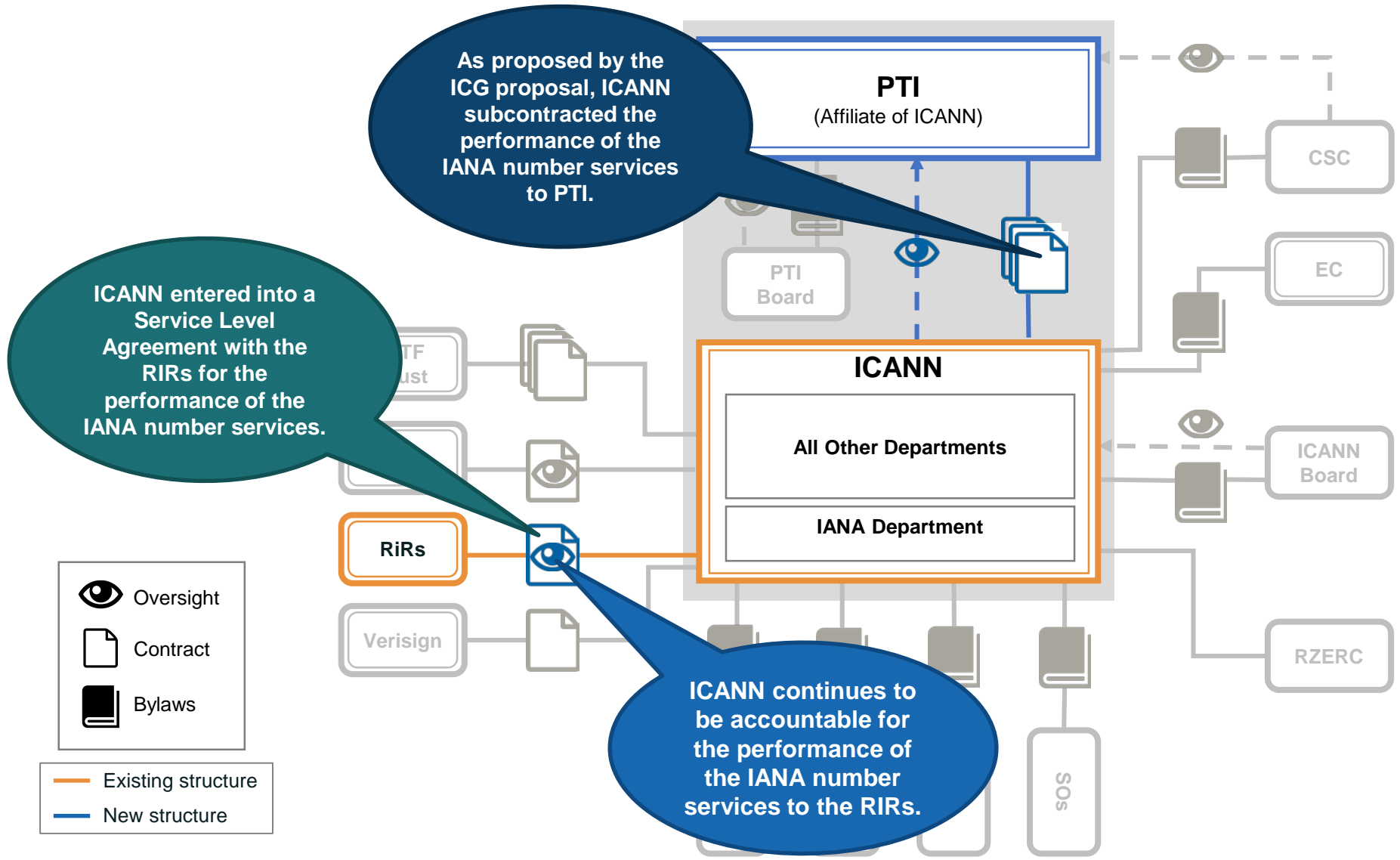
As proposed by the ICG proposal, ICANN subcontracted the performance of the protocol parameters services to PTI.

The 2000 Memorandum of Understanding between ICANN and IETF remains in place for the performance of the protocol parameters services. Every year, ICANN and IETF negotiate a Supplemental Agreement. The 2016 version was signed at ICANN56.

ICANN continues to be accountable for the performance of the protocol parameters services to the IETF.



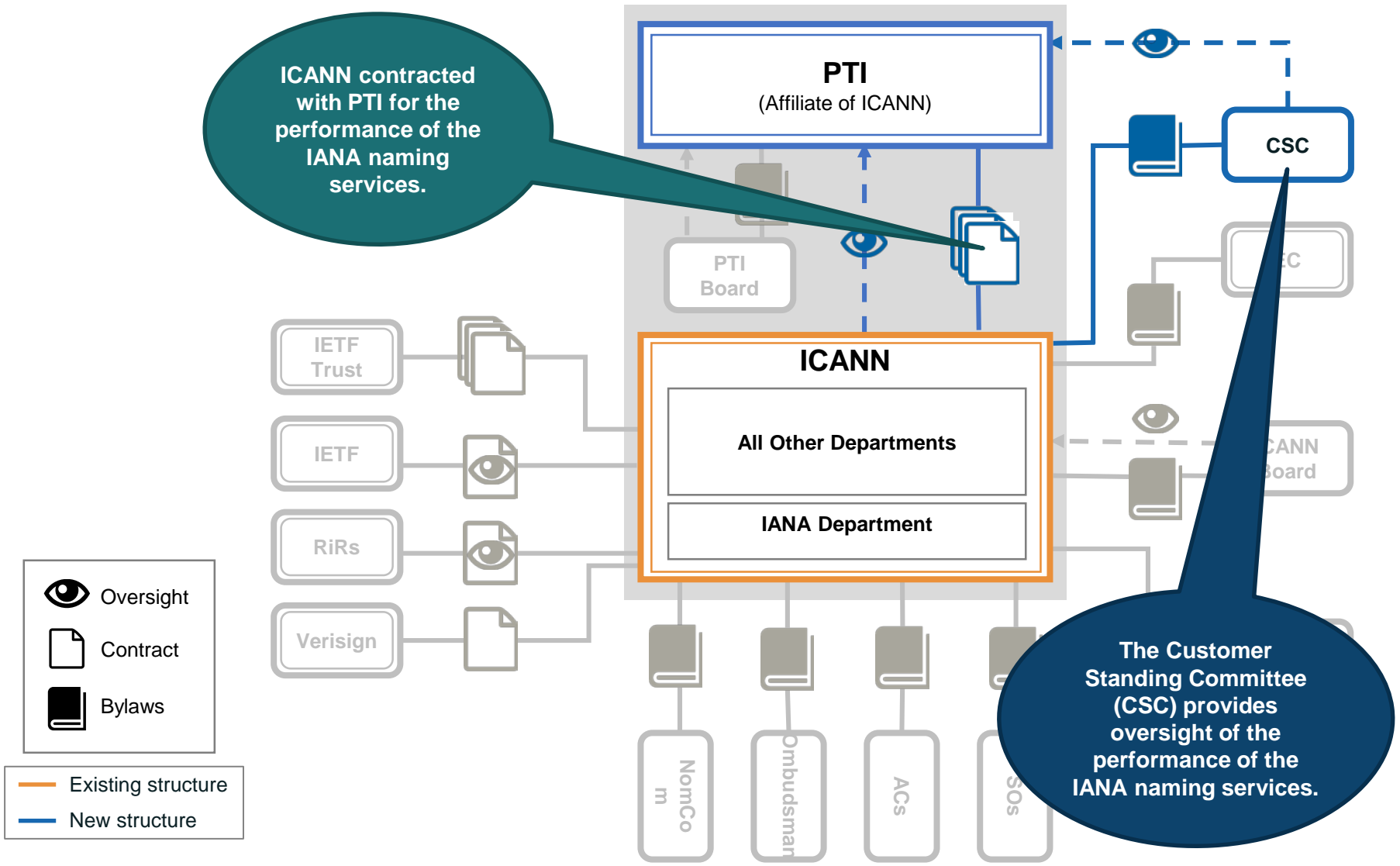
# Relationship between RIRs and PTI



# Relationship between TLD community and PTI

ICANN contracted with PTI for the performance of the IANA naming services.

The Customer Standing Committee (CSC) provides oversight of the performance of the IANA naming services.



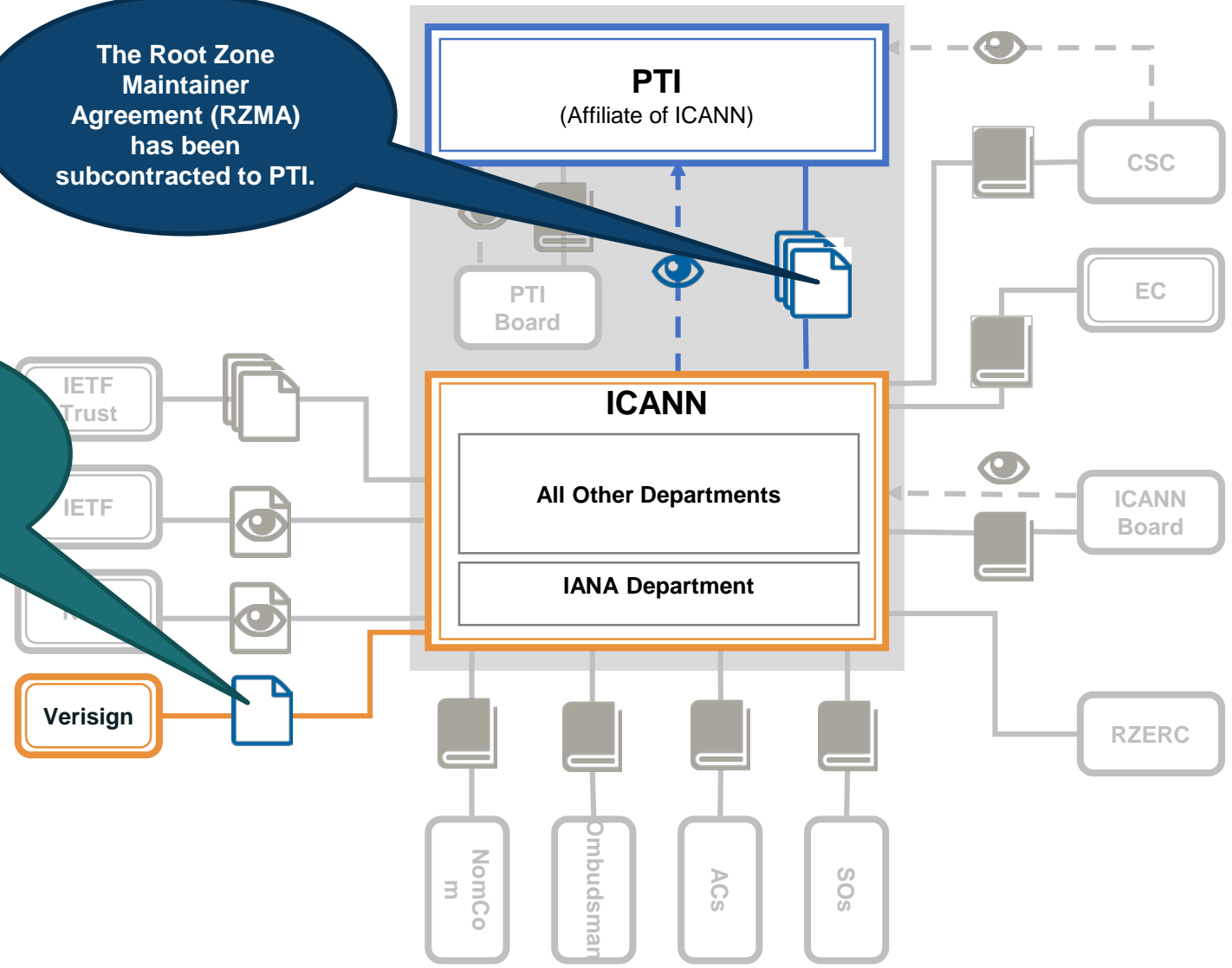
# Relationship between Verisign and PTI

The Root Zone Maintainer Agreement (RZMA) has been subcontracted to PTI.

ICANN contracted with Verisign to perform the root zone maintainer function (RZMA).

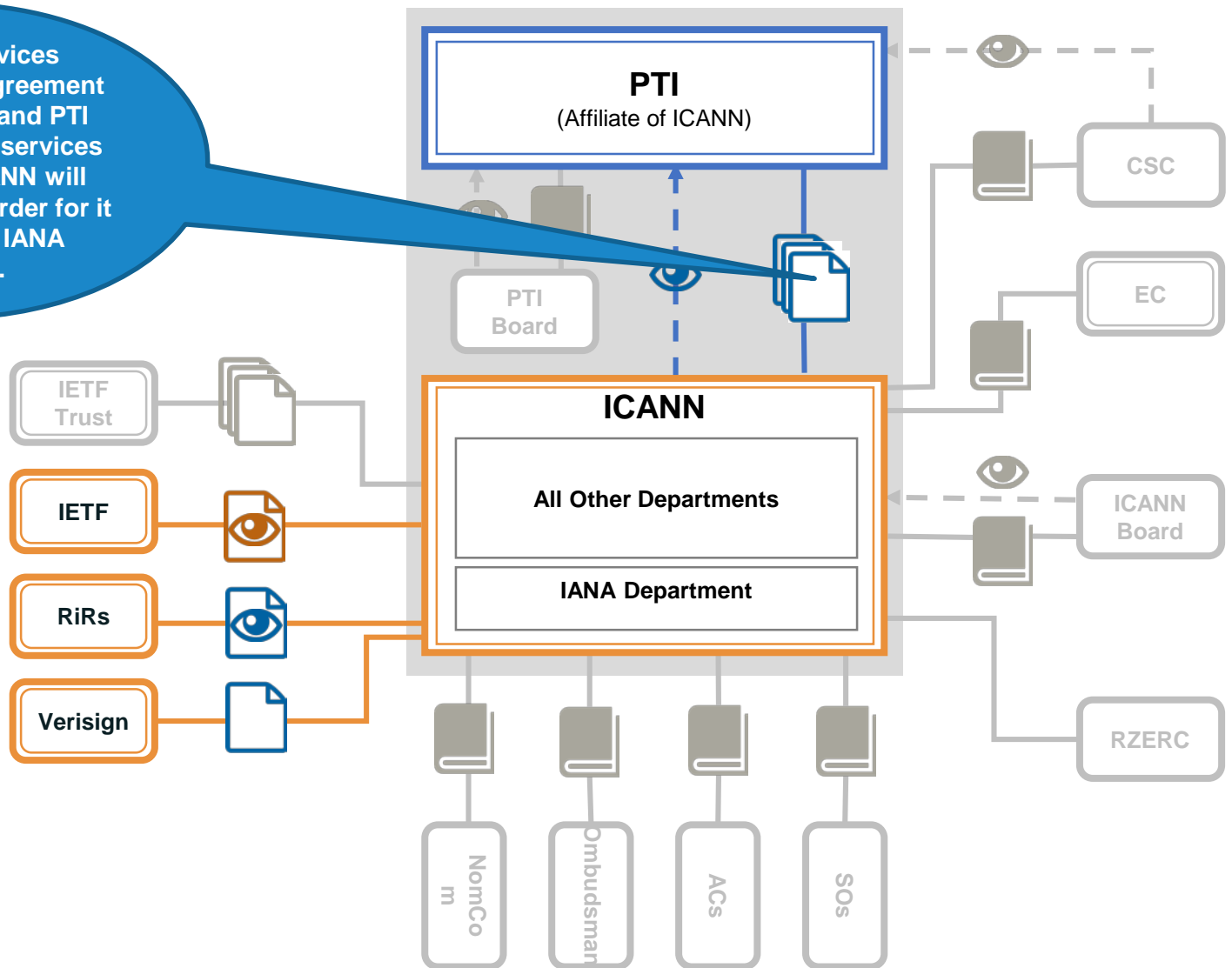
- Oversight
- Contract
- Bylaws

- Existing structure
- New structure



# Relationship between ICANN and PTI

There is a Services subcontracting agreement between ICANN and PTI that specifies the services (HR, IT, etc.) ICANN will provide to PTI in order for it to perform the IANA functions.





# Who is on the PTI Board?

**ICANN Board appoints 5 Directors, 3 from ICANN/PTI staff (including the PTI President) and 2 selected by ICANN NomCom.\***



Elise Gerich



Lise Fuhr



Akram Atallah



Jonathan Robinson



David Conrad

\* Lise and Jonathan were selected by an interim selection process, not by the NomCom, due to transition implementation planning/timing

# Who do I contact?

## I have a question about the IANA services, who do I contact?

To find governance documents, directors, agreements, and meetings of PTI, visit [pti.icann.org](https://pti.icann.org).



The operational reports of the IANA services, including deliverables and information on the IANA functions visit [iana.org](https://iana.org).

Operational questions can still be sent to:

- [iana@iana.org](mailto:iana@iana.org)

PTI staff will receive emails sent to either an ICANN or IANA email address:

- [elise.gerich@icann.org](mailto:elise.gerich@icann.org) or [elise.gerich@iana.org](mailto:elise.gerich@iana.org)

# Engage with ICANN



## Thank You and Questions

Reach us at:

Email: [engagement@icann.org](mailto:engagement@icann.org)

Website: [icann.org](http://icann.org)



[twitter.com/icann](https://twitter.com/icann)



[facebook.com/icannorg](https://facebook.com/icannorg)



[youtube.com/user/icannnews](https://youtube.com/user/icannnews)



[linkedin.com/company/icann](https://linkedin.com/company/icann)



[soundcloud.com/icann](https://soundcloud.com/icann)



[weibo.com/ICANNorg](https://weibo.com/ICANNorg)



[flickr.com/photos/icann](https://flickr.com/photos/icann)



SlideShare

[slideshare.net/icannpresentations](https://slideshare.net/icannpresentations)

# Next Meetings

Mtg	Date	Time
<a href="#">SSR2 Plenary #11</a> (Madrid F2F)	14 & 15 May	08:30 – 17:30 CEST
<a href="#">SSR2 Plenary #12</a>	23 May	06:00 – 07:00 UTC
<a href="#">SSR2 Plenary #13</a>	30 May 17	14:00 - 15:00 UTC
<a href="#">SSR2 Plenary #14</a>	6 June 17	21:00 - 22:00 UTC

***AOB***

# Additional Information

# Open SSR2-RT Action Items

Mtg	Date	Action	Owner	Due Date
9	2 May	Send adopted Terms of Reference to ICANN Board, should no objections occur in the 24 hours from circulation.	Kaveh Ranjbar	TBD
9	2 May	Prepare proposal for initial structuring of RT work for Madrid meeting.	James Gannon	TBD
9	2 May	Provide a decision to the Review Team on whether a face-to-face meeting will take place in Johannesburg, and on what dates.	Co-Chairs	5 May
8	15 April	Schedule a briefing on PTI, the Bylaws and the relationship with ICANN to share input to assist in determining its possible inclusion in the scope of SSR2 review.	ICANN Org	28 Apr
8	15 Apr	Provide draft agenda for Madrid face-to-face meeting to Review Team for input.	Co-Chairs	TBD
8	15 Apr	Provide update to SSR2-RT after scheduled SO/AC Chair call to inform decision regarding potential meeting dates in Johannesburg at ICANN59.	Co-Chairs	TBD
6	11 Apr	Propose timeline for finalizing scope.	Co-Chairs	TBD
4	28 Mar	Review <a href="#">brainstorming capture slides</a> from 15 March meeting and share thoughts on email list.	SSR2-RT	TBD
3	22 Mar	Co-Chairs to coordinate and formulate a proposal as to how to separate duties and present it to the RT.	Co-Chairs	TBD
1	2 Mar	Provide terms of reference to the ICANN Board.	SSR2-RT	TBD