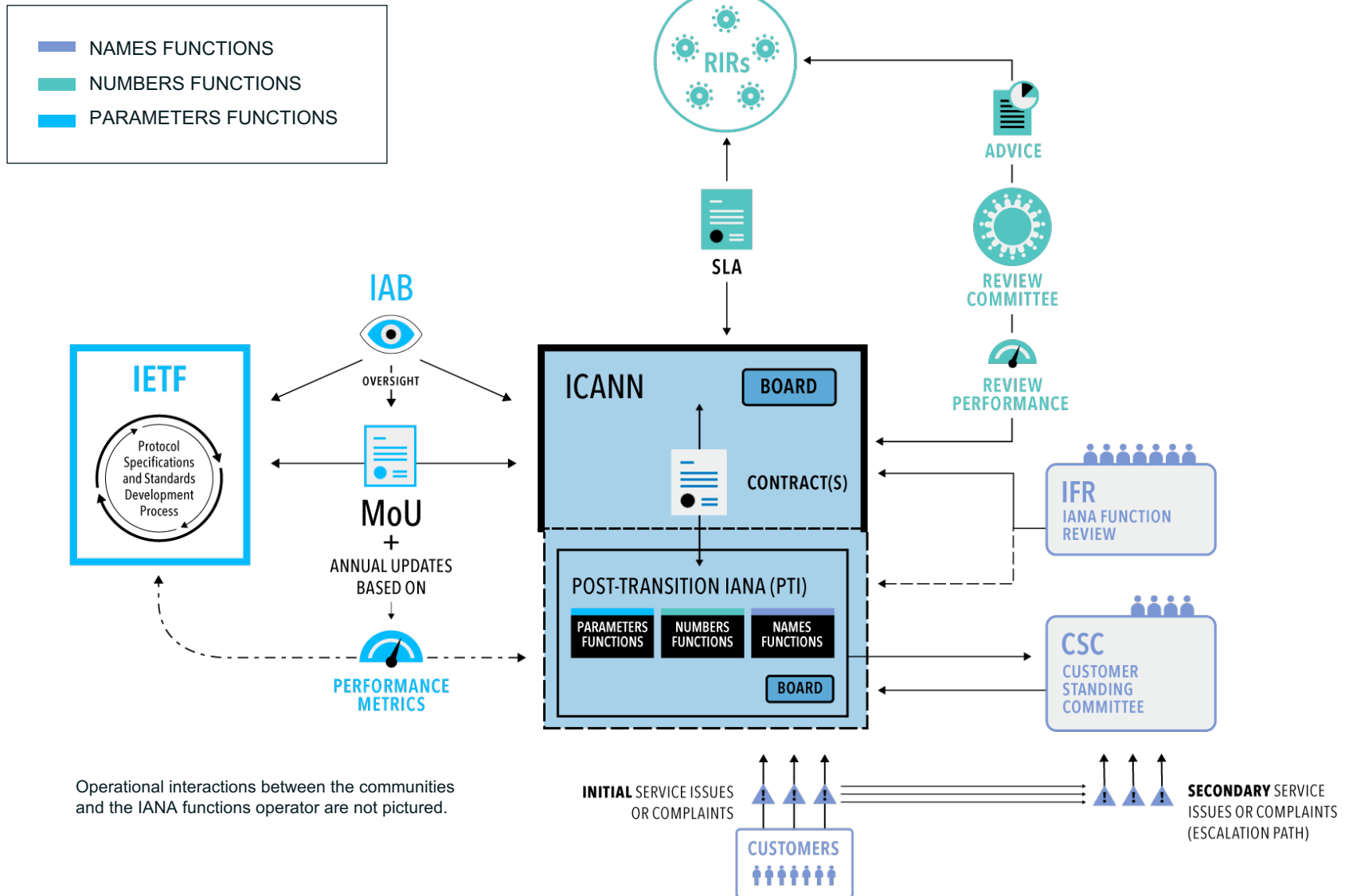




PTI-ICANN Relationship Overview

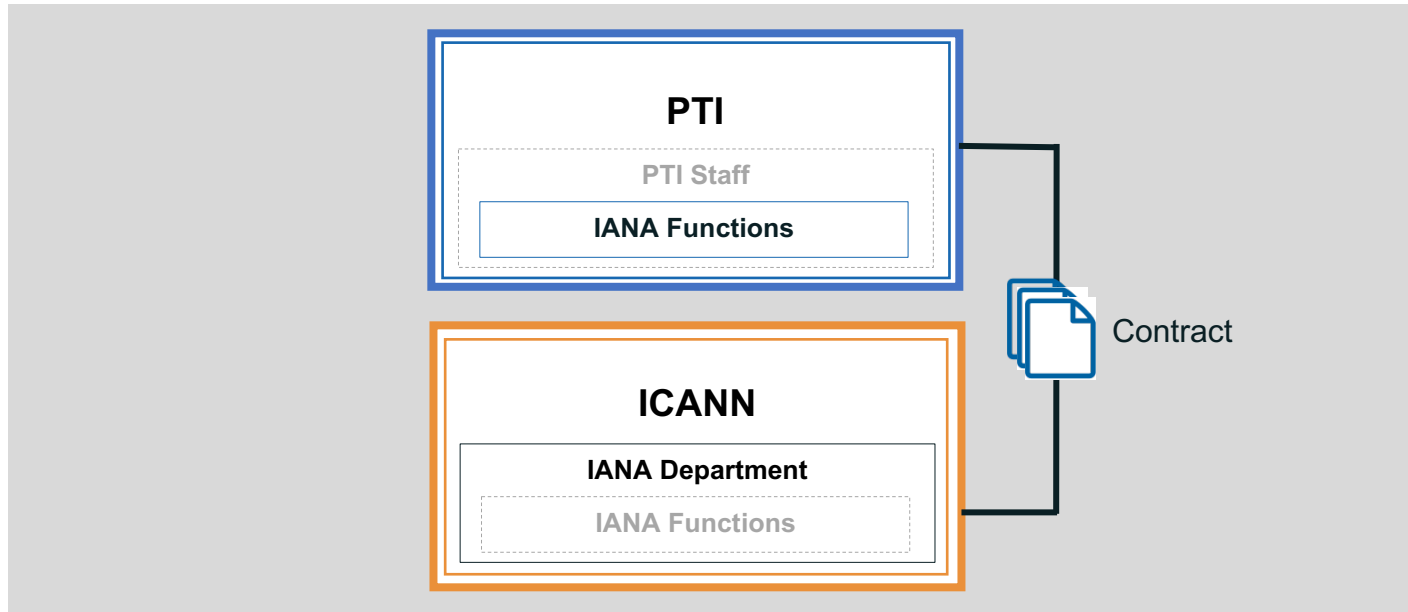
Samantha Eisner | SSR2 Call | 9 May 2017

Combined ICG Proposal Overview



What is PTI?

Public Technical Identifiers (PTI) is an affiliate of ICANN that is responsible for performing the IANA functions and delivering the IANA Services, on behalf of ICANN.



PTI implements agreed policies and principles developed by the ICANN multistakeholder community.

PTI Overview

Legal

- Nonprofit public benefit corporation
- ICANN is sole Member
- Domiciled in California
- 501(c)(3) tax status

Organization

- Annual budget developed in consultation with the community
- 4-year strategic plan updated annually
- Annual independent financial audit of PTI financials

Operations

- Perform name, protocol parameters, and number services via contract and subcontract with ICANN
- All resources required to perform services will be provided by ICANN

Board

- 5 directors appointed by ICANN
- 3 from ICANN/PTI staff
- 2 elected by ICANN NomCom process

Officers

- President – Elise Gerich
- Treasurer – Becky Nash
- Secretary – Samantha Eisner

Staff

- No change in personnel performing the IANA functions
- Existing IANA department staff seconded from ICANN to PTI

What Stays the Same?

The definition of the IANA functions

Domain Names, Numbering
Resources, and Protocol Parameters

**The registries related to names,
numbers and protocol parameters**

Individuals performing the work

IANA Department staff are seconded
to PTI

**Location of the operational
information**

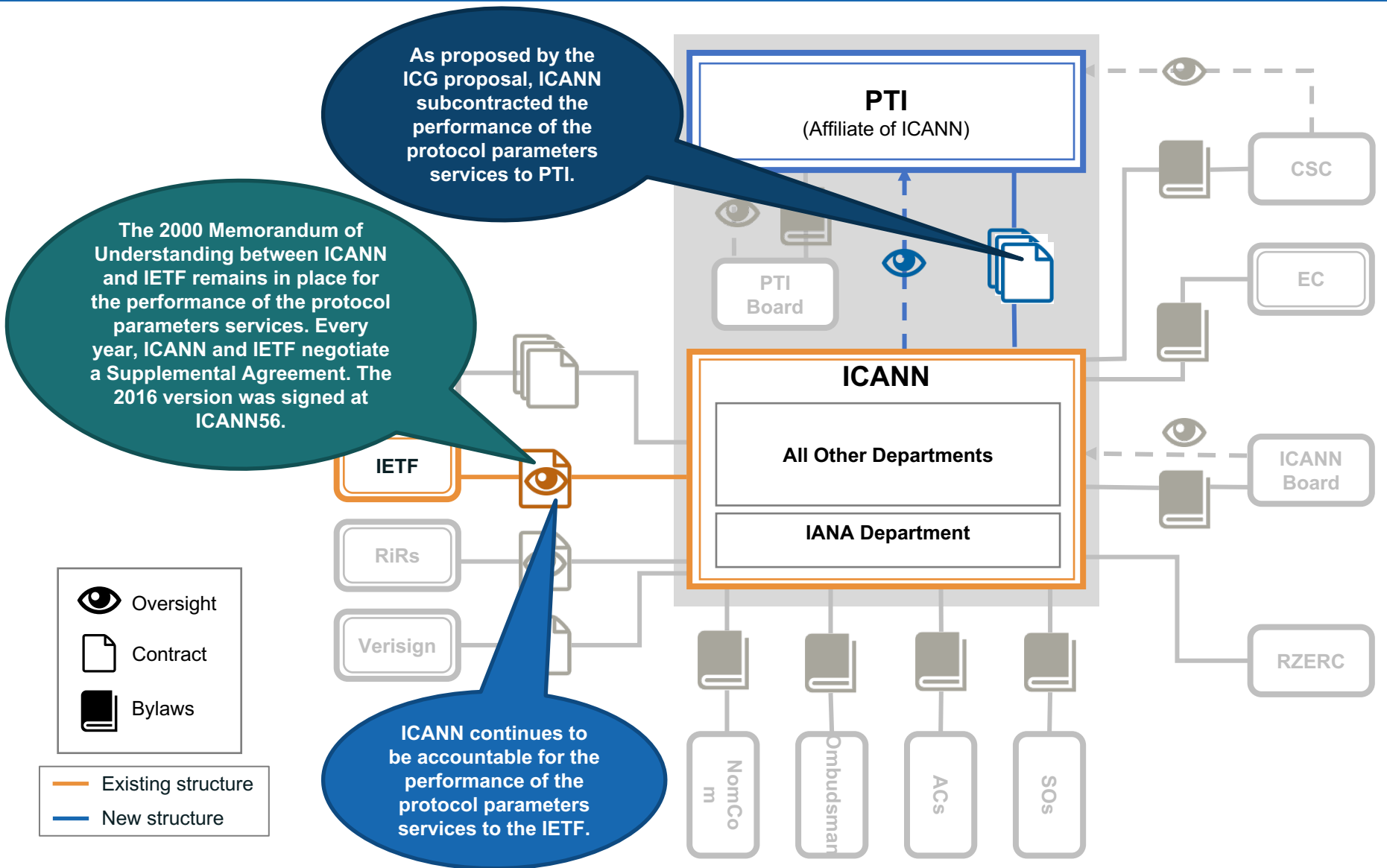
The operational reports of the IANA
services will remain on iana.org

**Methods for submitting changes or
updates to the registries**

ICANN Ecosystem with PTI

| | Domain Names | Numbering Resources | Protocol Parameters |
|------------|--------------|---------------------------------|---------------------------------|
| Oversight | CSC | Review Committee | IETF & IAB leadership |
| Policy | ICANN | ASO | IETF |
| Operations | PTI | ICANN (subcontracted to PTI) | ICANN (subcontracted to PTI) |

Relationship between IETF and PTI

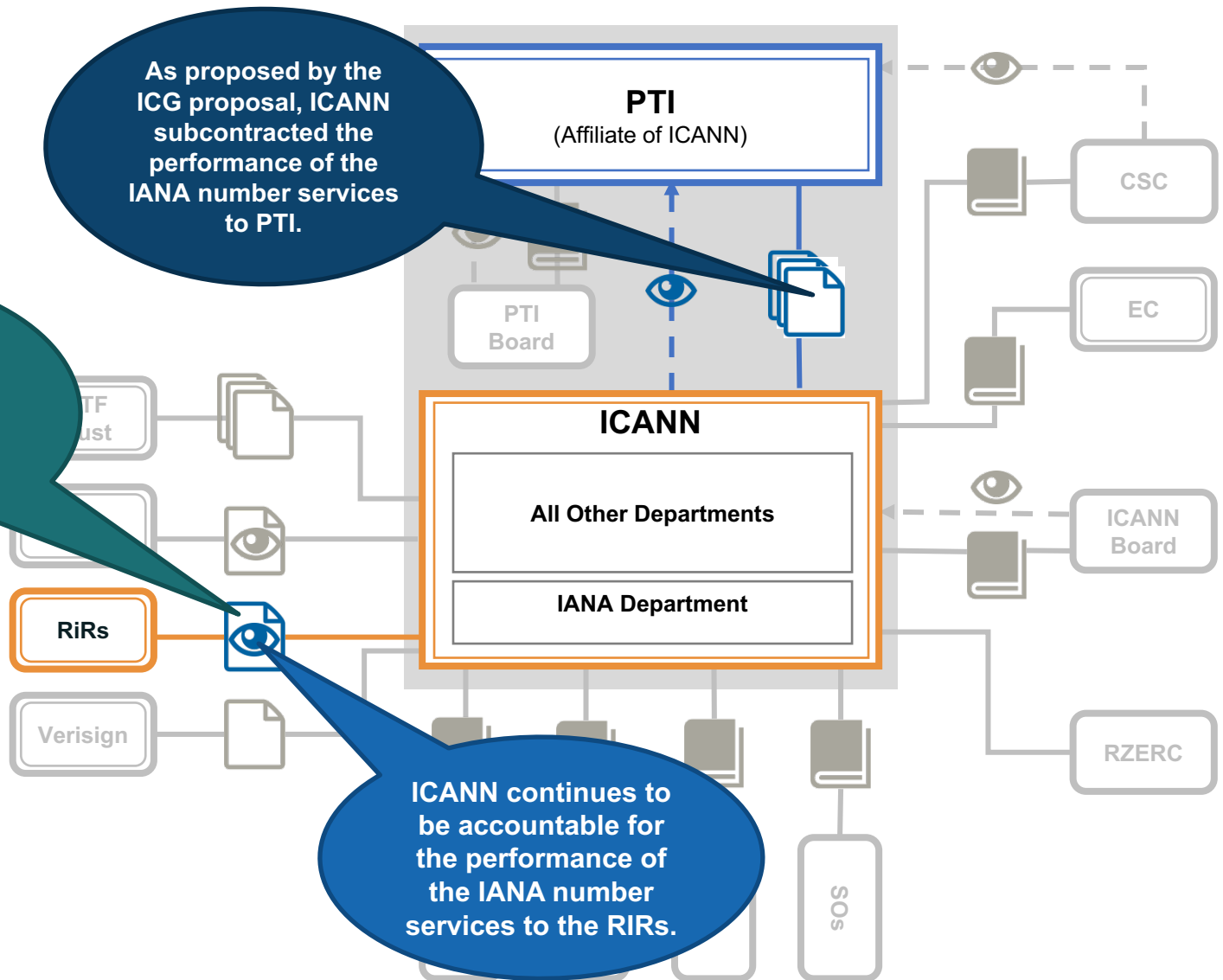


Relationship between RIRs and PTI

As proposed by the ICG proposal, ICANN subcontracted the performance of the IANA number services to PTI.

ICANN entered into a Service Level Agreement with the RIRs for the performance of the IANA number services.

ICANN continues to be accountable for the performance of the IANA number services to the RIRs.



Oversight

Contract

Bylaws

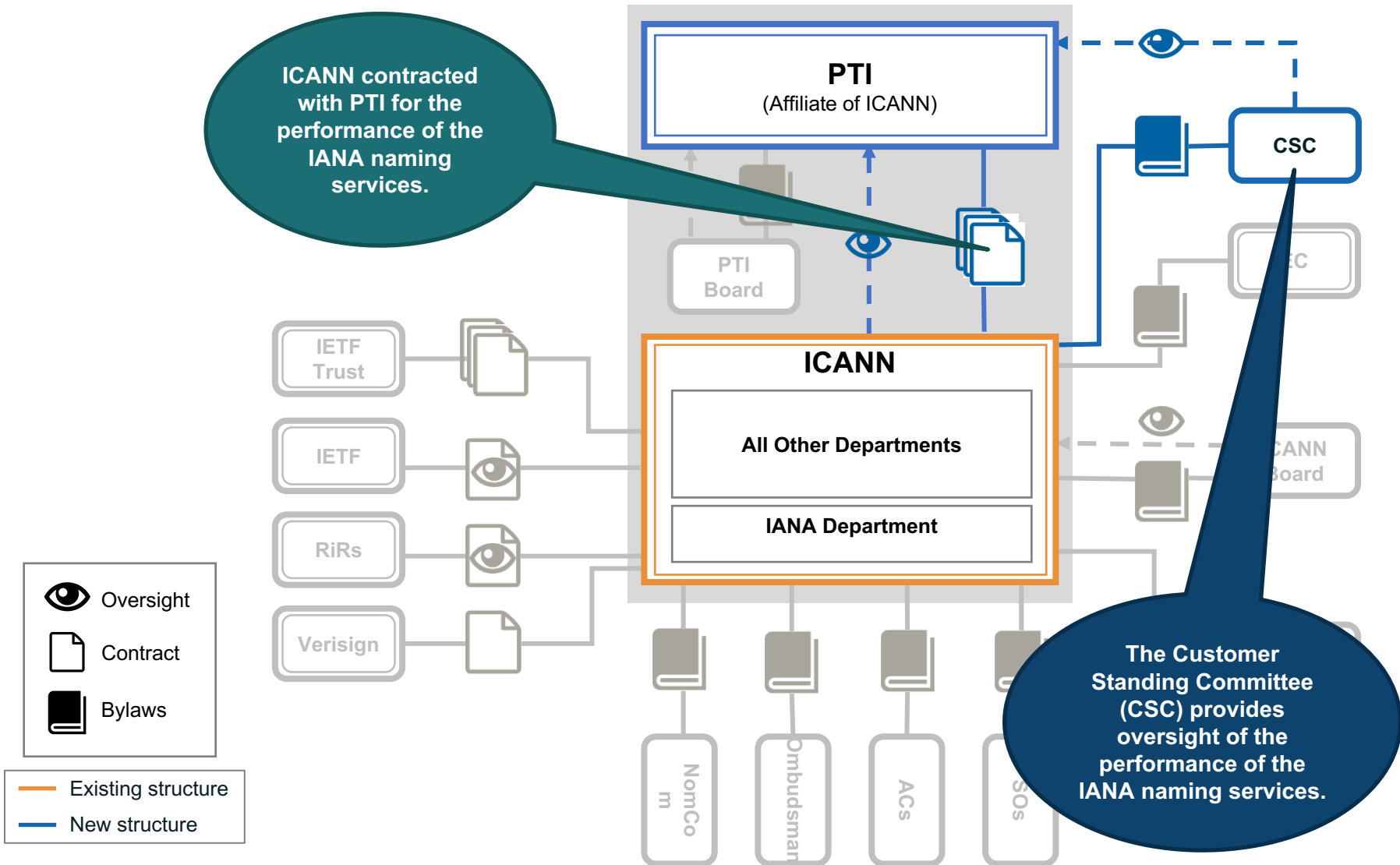
Existing structure

New structure

Relationship between TLD community and PTI

ICANN contracted with PTI for the performance of the IANA naming services.




The Customer Standing Committee (CSC) provides oversight of the performance of the IANA naming services.





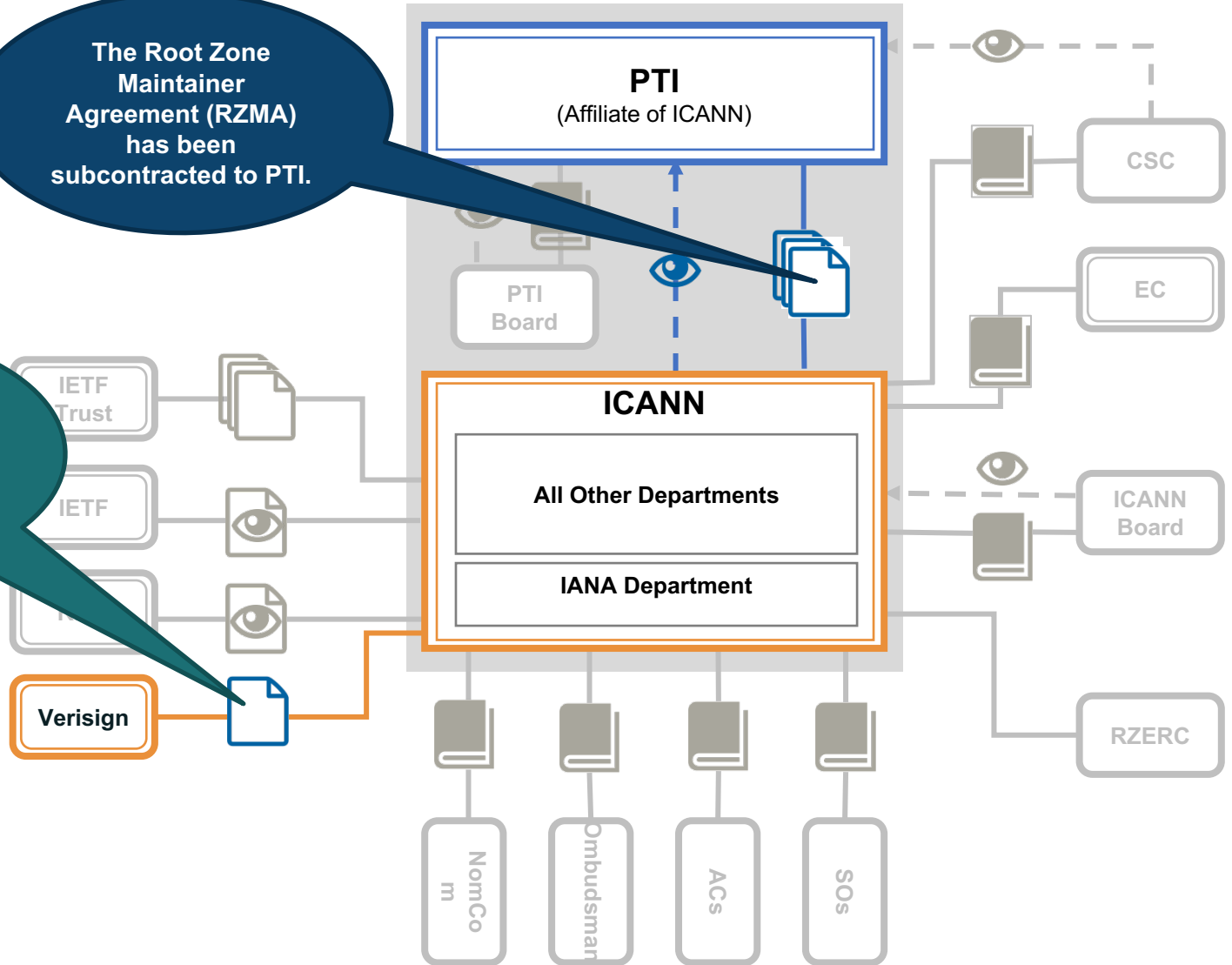
Relationship between Verisign and PTI

The Root Zone Maintainer Agreement (RZMA) has been subcontracted to PTI.

ICANN contracted with Verisign to perform the root zone maintainer function (RZMA).

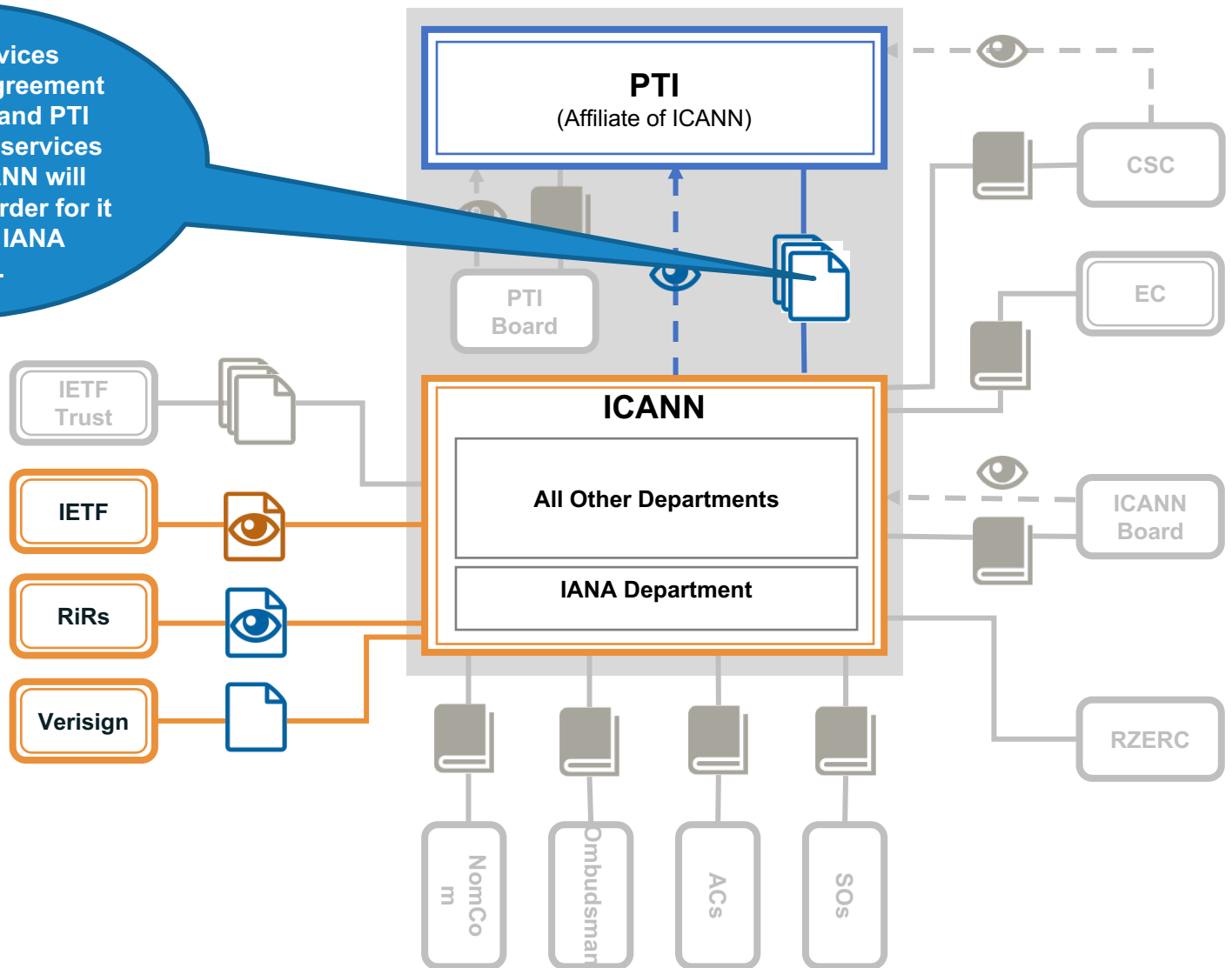
-  Oversight
-  Contract
-  Bylaws

-  Existing structure
-  New structure



Relationship between ICANN and PTI

There is a Services subcontracting agreement between ICANN and PTI that specifies the services (HR, IT, etc.) ICANN will provide to PTI in order for it to perform the IANA functions.



Who is on the PTI Board?

ICANN Board appoints 5 Directors, 3 from ICANN/PTI staff (including the PTI President) and 2 selected by ICANN NomCom.*

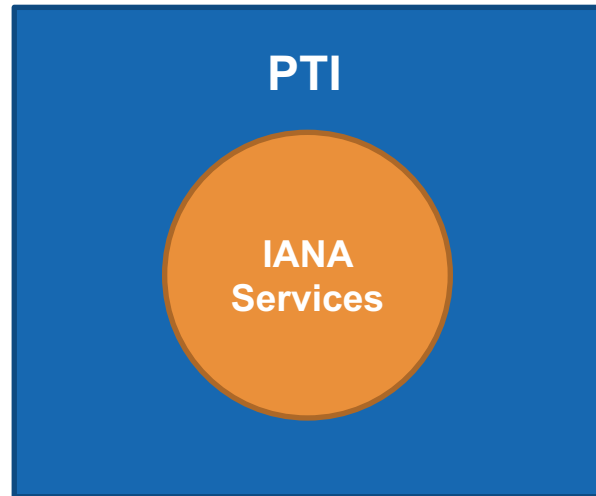


* Lise and Jonathan were selected by an interim selection process, not by the NomCom, due to transition implementation planning/timing

Who do I contact?

I have a question about the IANA services, who do I contact?

To find governance documents, directors, agreements, and meetings of PTI, visit pti.icann.org.



The operational reports of the IANA services, including deliverables and information on the IANA functions visit iana.org.

Operational questions can still be sent to:

- iana@iana.org

PTI staff will receive emails sent to either an ICANN or IANA email address:

- elise.gerich@icann.org or elise.gerich@iana.org

Engage with ICANN



Thank You and Questions

Reach us at:

Email: engagement@icann.org

Website: icann.org



twitter.com/icann



facebook.com/icannorg



youtube.com/user/icannnews



linkedin.com/company/icann



soundcloud.com/icann



weibo.com/ICANNorg



flickr.com/photos/icann



SlideShare

slideshare.net/icannpresentations