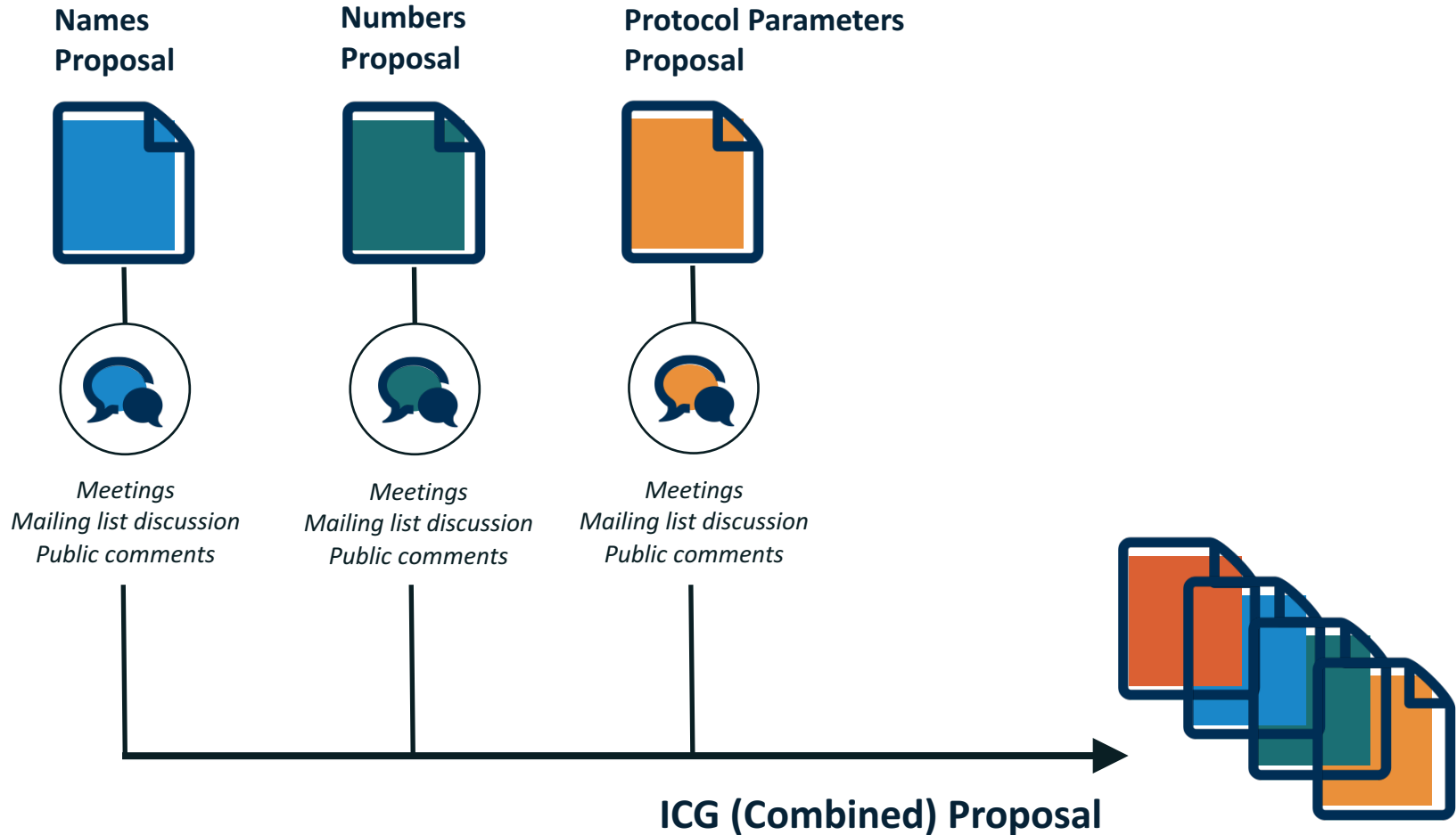




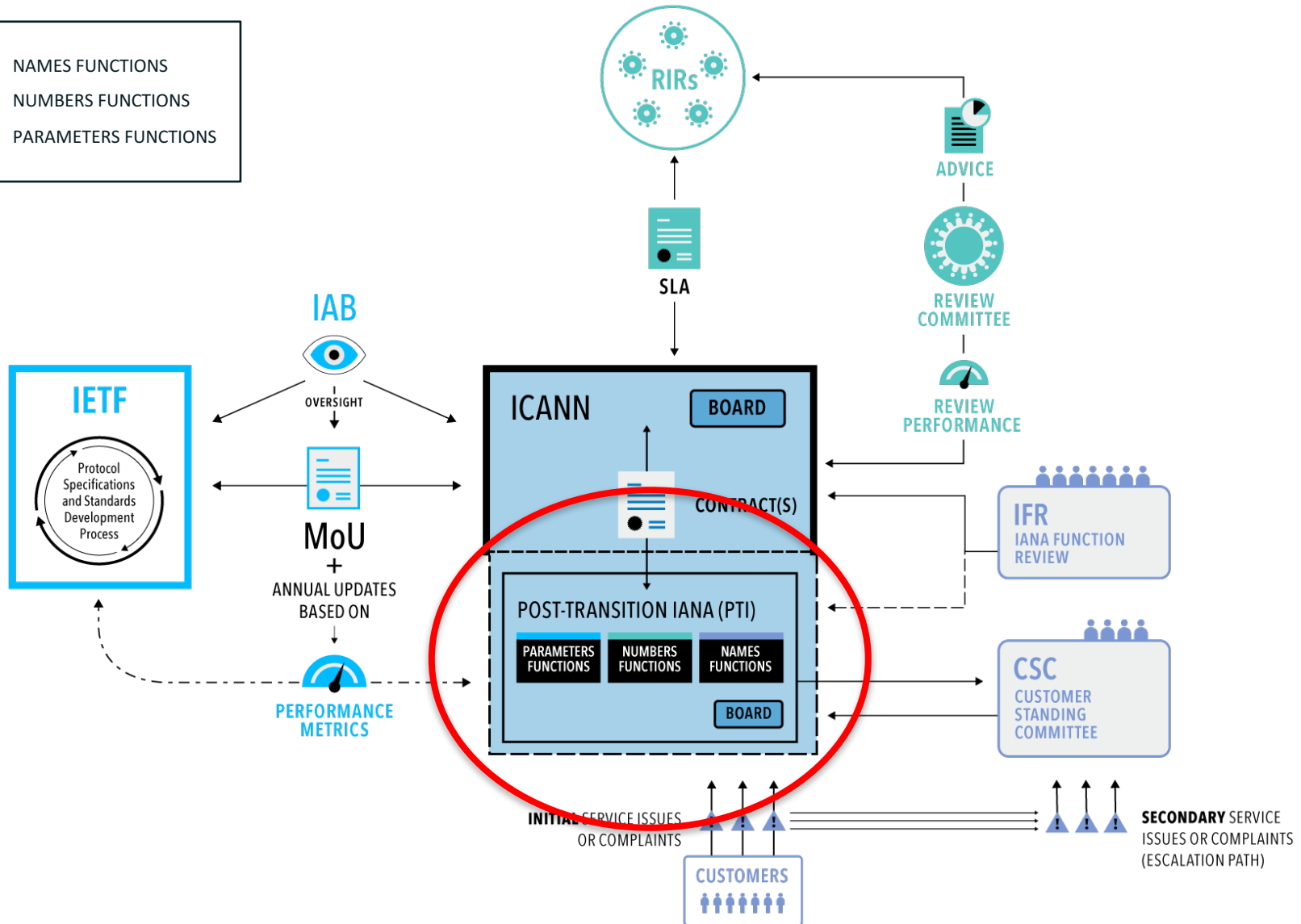
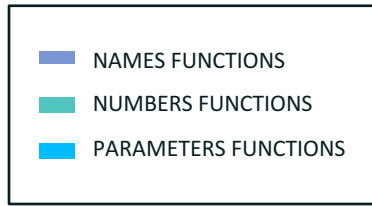
Introduction to PTI

Elise Gerich | ICANN 57 | November 2016

Request for Transition Proposal Structure



Combined Proposal Overview



PTI Overview

Public Technical Identifiers (PTI) is an affiliate of ICANN that is responsible for performing the IANA Services on behalf of ICANN. PTI does not set policy – it implements agreed policies and principles developed by the ICANN multistakeholder community.

Legal

- Nonprofit public benefit corporation
- ICANN is sole Member
- Domiciled in California
- 501(c)(3) tax status

Organization

- Annual budget developed in consultation with the community
- 4-year strategic plan updated annually
- Annual independent financial audit of PTI financials

Operations

- Perform name, protocol parameters, and number services via contract and subcontract with ICANN
- All resources required to perform services will be provided by ICANN

Board

- 5 directors appointed by ICANN
- 3 from ICANN/PTI staff
- 2 elected by ICANN NomCom process

Officers

- President – Elise Gerich
- Treasurer – Becky Nash
- Secretary – Samantha Eisner

Staff

- No change in personnel performing the IANA functions
- Existing IANA department staff seconded from ICANN to PTI

Who is on the PTI Board?

ICANN Board appoints 5 Directors, 3 from ICANN/PTI staff and 2 selected by ICANN NomCom.*



Elise Gerich



Lise Fuhr



Akram Atallah



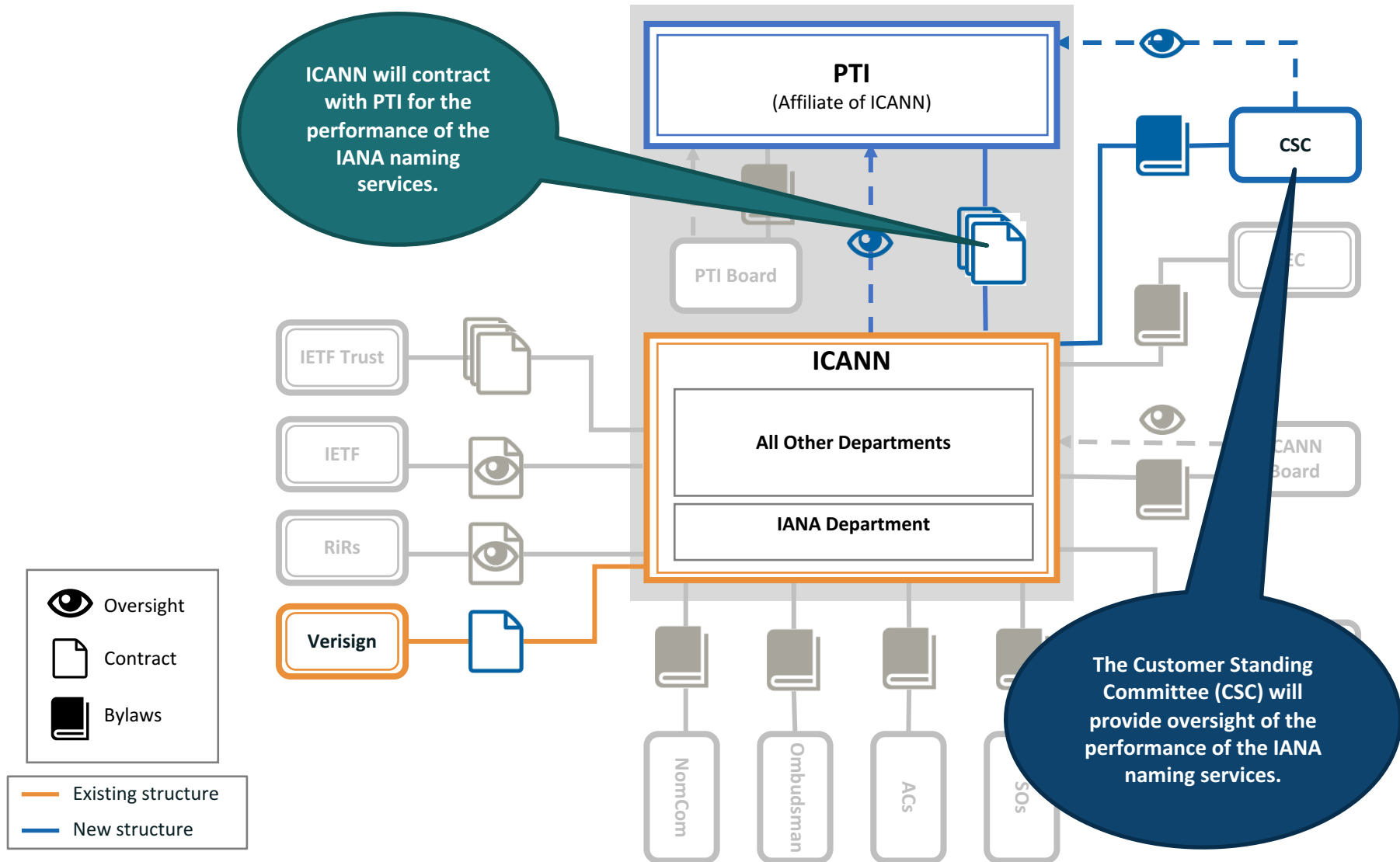
Jonathan Robinson



David Conrad

* Lise and Jonathan were selected by an interim selection process, not by the NomCom, due to transition implementation planning/timing

Relationship between TLD community and PTI



Who is on the Customer Service Committee?

ccNSO and GNSO Councils approved the inaugural CSC membership on 10 August 2016.

4 Members appointed by ccNSO/GNSO



Jay Daley, ccNSO



Kal Feher, GNSO



Byron Holland, ccNSO



Elaine Pruis, GNSO

6 Liaisons appointed by SO/AC



Jeff Bedser, SSAC



Mohamed El Bashir, ALAC



James Gannon, GNSO non-registry



Elise Gerich, PTI



Lars-Johan Liman, RSSAC



Elise Lindberg, GAC

What are PTI's outputs to the TLD community?



SLE Dashboard

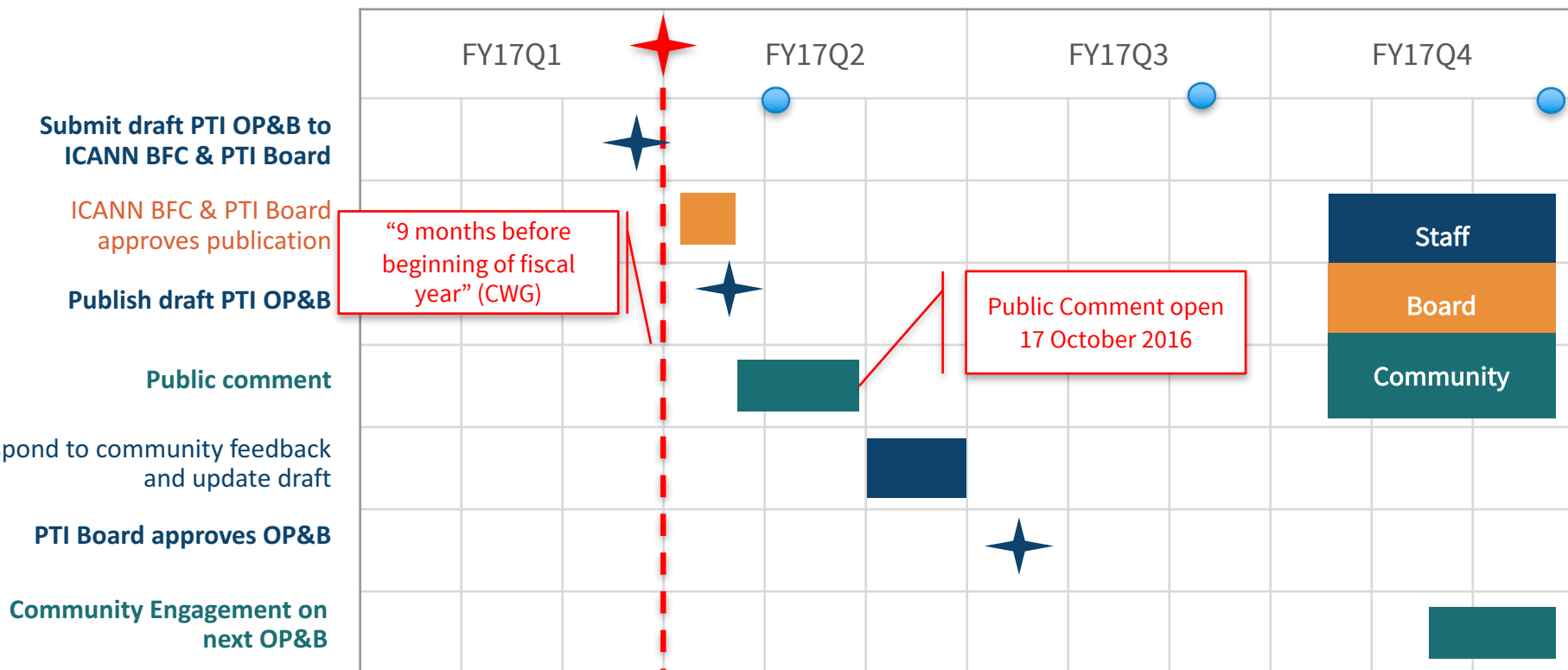


Updates to Root Zone and Database



Monthly reports posted on iana.org

Draft FY18 PTI OP&B Planning Calendar



~\$9m funding is planned for PTI in FY18

~\$500,000 growth on FY17, based on:

- Extra staffing
- Oversight activities, such as the PTI Board & other committees

Who do I contact?

I have a question about the IANA services, who do I contact?

PTI is the entity that performs the IANA services on behalf of ICANN.



The operational reports of the IANA services, including deliverables and information on the IANA functions will remain on iana.org.

Operational questions can still be sent to:

- iana@iana.org

PTI staff will receive emails sent to either an ICANN or IANA email address:

- elise.gerich@icann.org or elise.gerich@iana.org

Thank you!

