

# APAC Space

@ ICANN63 Barcelona



22 October 2018

# Agenda

---

- ⦿ **Welcome Remarks and ICANN APAC 5<sup>th</sup> Anniversary Report Highlights** by Jia-Rong Low (5 mins)
- ⦿ **Updates on upcoming ICANN Events in APAC, 2019** (10 mins)
  - ICANN64 Kobe by Akinori Maemura
  - GDD Industry Summit, Registration Operations Workshop (ROW), ICANN DNS Symposium, DNS OARC by Sophia Feng**Followed by community discussion on coordination at the above events** led by Edmon Chung (20 mins)
- ⦿ **Internationalized Domain Names (IDNs): Update on Myanmar and Sinhala GP** by Pitinan Kooarmornpatana (10 mins)
- ⦿ **Universal Acceptance: Introduction to UA Ambassadors (UASG)** by Don Hollander (10 mins)
- ⦿ **AOB** (5 mins)

# APAC Space



- ❖ “Space” for APAC Community Members
- ❖ Community-led bi-monthly Sessions — web conference, or face-to-face at ICANN Meetings
- ❖ ”Practice ground” to facilitate community discussion for ICANN participation
  - ❖ DNS industry topics
  - ❖ ICANN Policy Development Processes, and
  - ❖ ICANN Reviews

Subscribe to our mailing list by emailing: [subscribe@apacspace.asia](mailto:subscribe@apacspace.asia)

Community mailing list: [discuss@apacspace.asia](mailto:discuss@apacspace.asia)

Community wiki page: <https://community.icann.org/display/GSEAPAC/APAC+Space>

# ICANN APAC 5<sup>th</sup> Anniversary Report

## ICANN ASIA PACIFIC IN SUMMARY



### APAC SPACE AVG PARTICIPATION

WEB  
CONFERENCE

**33**

ON-  
SITE

**50**



### TECHNICAL WORKSHOPS

WORKSHOPS  
CONDUCTED

**87**

### TRAINING FOR LEA

**25**

TRAINED

**3,001**

**1,000**

FIGURES FROM JULY 2014 - JULY 2018



**3<sup>RD</sup>** YEAR OF APIGA  
(ASIA PACIFIC INTERNET  
GOVERNANCE ACADEMY)



**7** GENERATION  
**PANELS**

**25** ICANN MANAGED  
**ROOT SERVERS**  
INSTANCES



**29** ICANN ORG PERSONNEL FROM  
**12 FUNCTIONS**

Check out Jia-Rong's blog on the ICANN APAC 5<sup>th</sup> Anniversary:  
<https://www.icann.org/news/blog/icann-s-asia-pacific-office-turns-five>

# ICANN APAC 5<sup>th</sup> Anniversary Report - Preview

## New Leadership

Appointed within 1 August 2017 – 31 July 2018



Heather Forrest  
GNSO Council Chair



Aftab Siddiqui  
ASO Council Chair



Henri Kasyfi Soemartono  
ASO Council



Rafik Dammak  
GNSO Council Vice-Chair



Pam Little  
GNSO Council

## Fellowship Participants

**690**  
total  
participants



**273**  
APAC  
participants

ICANN46 (March 2013) – ICANN62 (June 2018)

ICANN | G A C

## GOVERNMENTAL ADVISORY COMMITTEE



**46 of 51**  
economies

### NEW MEMBERS IN 2018:

- Bangladesh
- Myanmar

## DID YOU KNOW?

**166** Distinct ICANN-accredited  
gTLD registrars

At 37%, this is the largest group of distinct registrars globally.

**211** Generic top-level domains,  
including 36 IDNs

Majority of the IDNs are registered in China.

## COUNTRY CODE TOP-LEVEL DOMAINS (CCTLDS) SIGNED



**17 of 25**  
in Asia  
latest from Bhutan  
in Dec 2017



**12 of 26**  
in the Pacific



# ICANN Events in APAC 2019: ICANN64 Kobe



**Akinori Maemura**

General Manager, Internet Development  
Department at Japan Network Information  
Center (JPNIC) & ICANN Board Member



Come and join us in Kobe!

神戸にいらっしやい！

---

Oct 21, 2018

MAEMURA Akinori, JPNIC

ICANN64 Local Host Committee

# The 64<sup>th</sup> ICANN Meeting in Kobe, Japan

---

- When: March 9–14, 2019
- Where: Kobe Portopia Hotel +  
Kobe International Convention Center





# About Kobe / 神戸について

---


- One of the three major cities in Kansai(関西) area
  - With Osaka and Kyoto
- One of two ports which opened the earliest after the closure in Edo Period



# Getting back to the historic place!

<https://www.internetsociety.org/history/1992/inet-92-kobe/>

- INET'92 Kobe
- The first ISOC's general assembly
- IAB as Internet *Architecture Board*
- IPng project kicked off



## INET '92 Kobe

15-18 June 1992

The second INET conference—the first conference conducted under Internet Society auspices—proves to be, in the words of INET co-founder Lawrence Landweber, “a groundbreaking event in the development of the Internet.” In addition to sessions dealing with networking technology and with networking growth and challenges around the world, the conference features prescient discussions of network policy, as it touches on issues such as privacy and civil liberties, and network applications such as online education. It also serves as the forum for the [inaugural meetings of the Internet Society](#) and the [IAB's first meeting as the Internet Architecture Board](#).

# Access

---

- <https://kobe-convention.jp/en/practical-information/access/>
  - Kansai Airport(KIX) then ferry to Kobe
  - Haneda Airport(HND) then Kobe Airport(UKB)
  - Either Haneda or Narita then Shinkansen/  
Bullet Train

# ICANN64 Local Host Committee

All-Japan Stakeholders welcome you to Kobe!!

---

- GMO Internet
- Japan Registry Services
- IIJ
- Internet Association of Japan
- Internet Multifeed
- Interlink
- NTT Docomo
- Telecom Services Association
- JPNIC
- Business Ralliat
- The Kyoto College of Graduate Studies for Informatics
- Com Laude
- Taka Enterprise
- Japan Internet Provider Association
- WIDE Project
- NTT Communications
- KDDI
- NTT West

# ICANN64 Local Host Committee

Led by a Hall-of-Famer and supported by public sector

---

- Chairperson:
  - Prof Jun Murai,  
WIDE Project, Former ICANN Director
- Observers :
  - Ministry for Internal Affairs and Communications (MIC)
    - Funded for ICANN64 Local Hosting
  - Kobe Tourism Bureau
    - Subvention and Local Aide

# ICANN64 Booth here at Ground Level!!



<https://icann64.jp/>

# ICANN64 KOBE

## UPDATE

**2018-10-18** We are going to have an exhibition booth in ground floor (P0) in ICANN63 Barcelona. Please drop by for refreshment!

## EVENT DETAILS

**Event Dates:** 9-14 Mar, 2019  
**Event Location:** Kobe International Exhibition Hall & Kobe Portopia Hotel  
**Address:** 6-11-1, Minatojima-nakamachi, Chuo-ku, Kobe-shi, Hyogo, 650-0046, Japan  
**URL:** <https://icann64.jp/>





# ICANN Events in APAC 2019: GDD Industry Summit



**Sophia Feng**

Director of TLD Business Division, ZDNS  
Co., LTD



- GDD 2015 Santa Monica, CA
- GDD 2016 Amsterdam
- GDD 2017 Madrid
- GDD 2018 Vancouver
- GDD 2019 Bangkok



- Great opportunity to meet and 1-on-1 interact with members of ICANN GDD team
- Focusing on engaging and addressing policy and operational issues gTLD registries and registrars care
- Sharing working business practices & experience from industry peers
- Cozy environment to meet up current and potential business partners

# Let's Talk about ICANN Activities in 2019

- ICANN64 Kobe
- GDD Industry Summit, Registration Operations Workshop (ROW), ICANN DNS Symposium, DNS OARC



**Edmon Chung**

APAC Space Community Facilitator



# IDN: Update on Myanmar and Sinhala GP



**Pitinan Kooarmornpatana**  
IDN Programs Manager,  
ICANN APAC

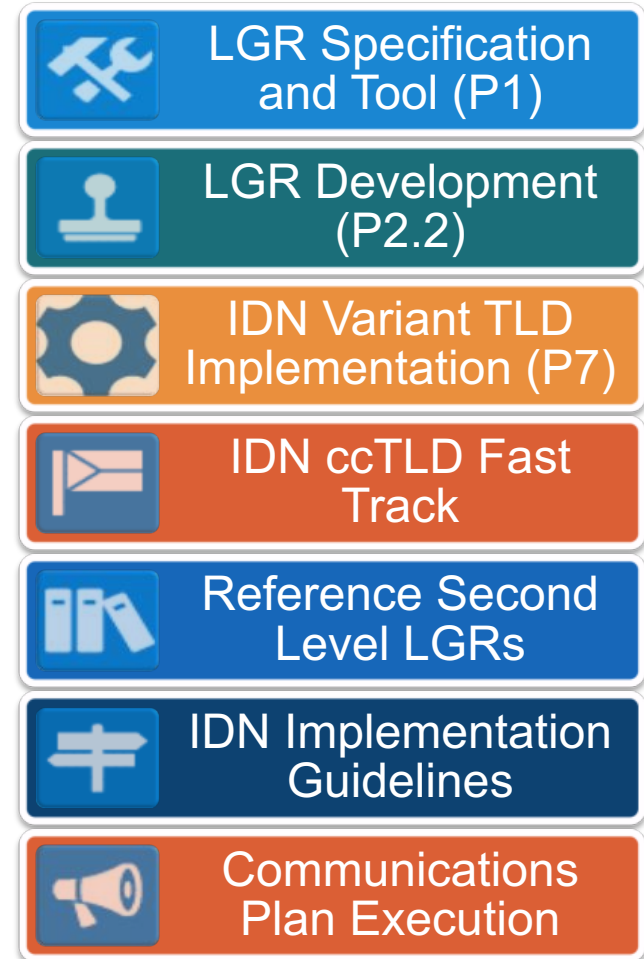
# IDN Program Objectives

---

Enable deployment of domain names  
in the local languages and scripts  
used by the communities globally  
in a secure and stable manner

# Overview of IDN Programs

- ◉ IDNs at Top Level
  - IDN TLD Program
    - Root Zone Label Generation Rules (RZ-LGR)
    - IDN Variant TLD Implementation
    - LGR Toolset
  - IDN ccTLD Fast Track Process
- ◉ IDNs at Second Level for gTLDs
  - IDN Implementation Guidelines
  - Reference Second Level LGRs
- ◉ Community Outreach and Involvement





# Example of IDN Labels

- ◉ Example of within-script variant labels (Arabic script)

شبكة (06C3 06A9 0628 0634)  
شبكة (0629 06A9 0628 0634)  
شبكة (0629 0643 0628 0634)

- ◉ Example of within-script variant labels (Simplified Chinese and Traditional Chinese)

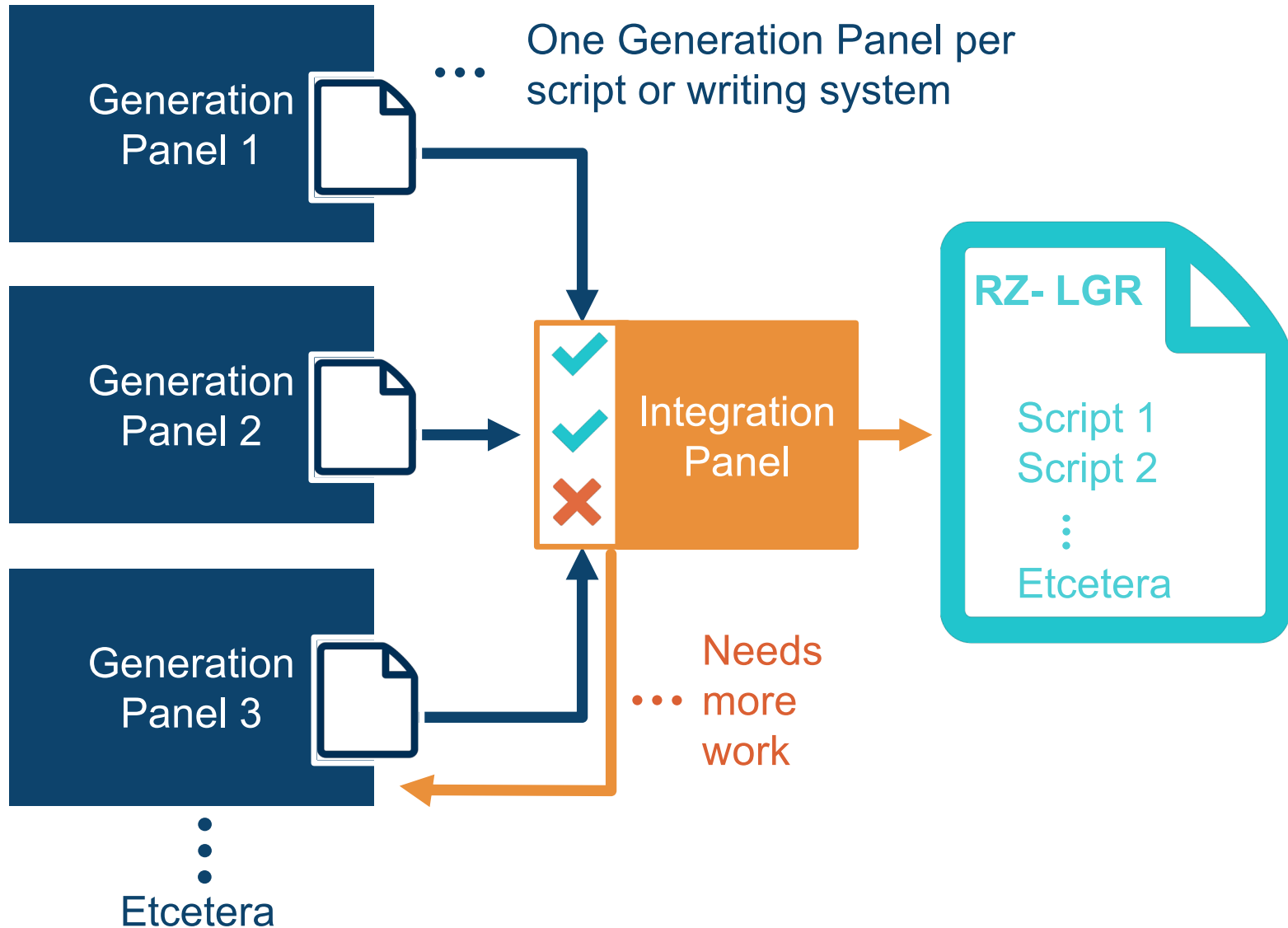
名称 (540D 79F0)  
名稱 (540D 7A31)

- ◉ Example of cross-script variant label (Latin script and Cyrillic script)

epic (0065 0070 0069 0063)  
epic (0435 0440 0456 0441)

- ◉ These are possible labels available for registration

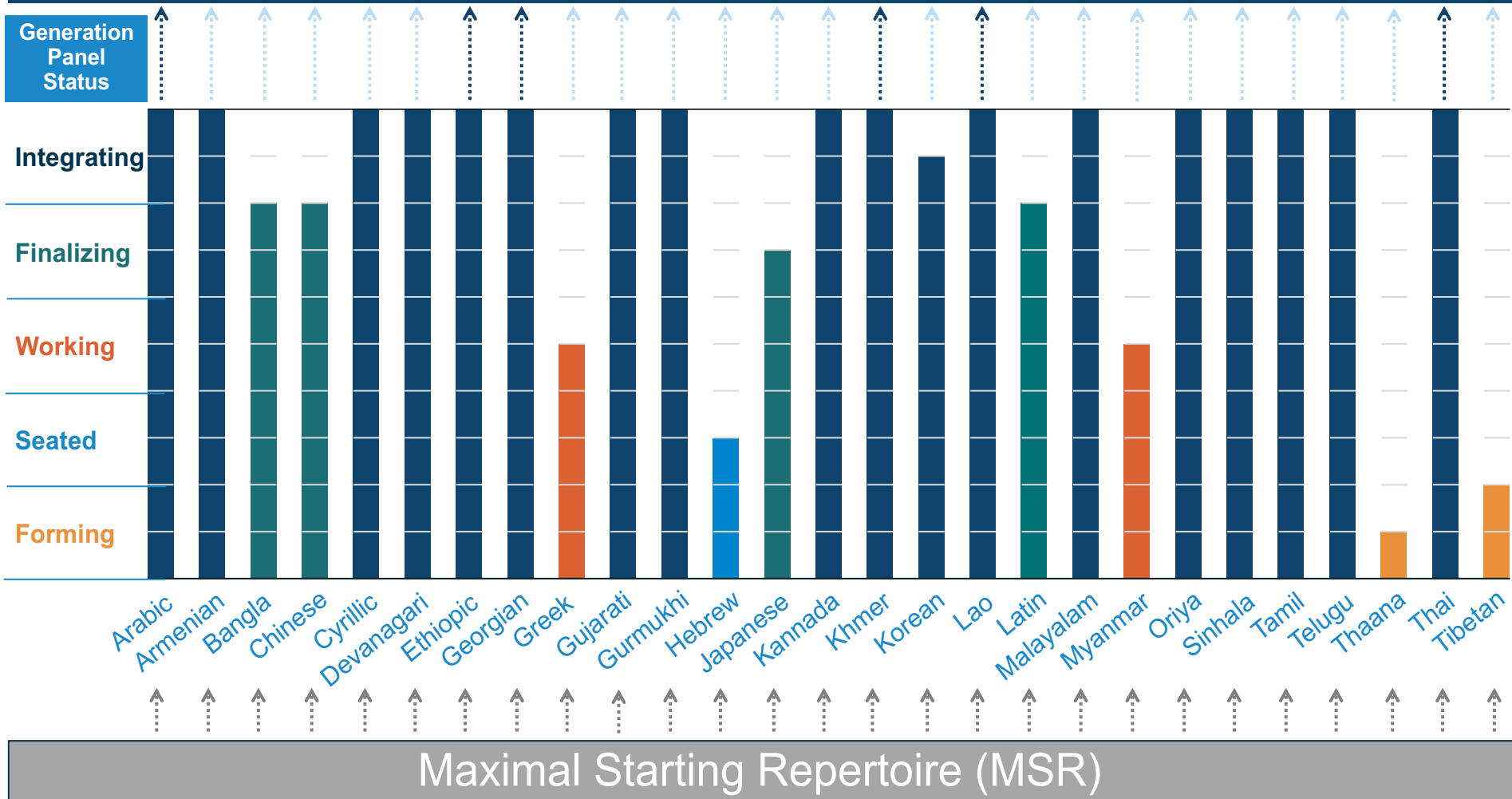
# Root Zone Label Generation Rules (RZ-LGR) Process



# Status of Generation Panels (GPs)

October 2018

## Root Zone Label Generation Rules (RZ-LGR)



# Myanmar and Sinhala GPs

## New Leadership

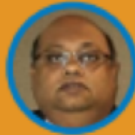
*Appointed within 1 August 2017 – 31 July 2018*



**Thin Zar Phy**  
Myanmar GP Chair



**Ruvan Weerasinghe**  
Sinhala GP Co-Chair  
*\*Photo not available*



**Harsha Wijawawardhana**  
Sinhala GP Co-Chair

## Questions?

Visit us at [icann.org/idn](https://icann.org/idn)

Email: [IDNProgram@icann.org](mailto:IDNProgram@icann.org)

# Universal Acceptance: Introduction to UA Ambassadors



**Don Hollander**

Secretary General of the Universal  
Acceptance Steering Group (UASG)

# UA Ambassadors in APAC

Don Hollander – 2018-10-22



Universal Acceptance

# UA in a Nutshell

Universal Acceptance (UA) ensures that all domain names and email addresses can be used by all Internet-enabled applications, devices and systems.





Ashish Modi



Harish  
Chowdhary



Ajay Data

# Ashwin Rangan



# Don Hollander





# Other UA Ambassadors



# The UA Ambassador Program

- \* Well versed and passionate on the topic
- \* Excellent presenter
- \* Some funding available for travel, accommodation and event registration
- \* There is no fee for service



# Other APAC Outreach

- \* ICANN Singapore GSE Team is reaching out to Governments. Some success in Singapore. Thailand and China also on the radar.
- \* ccTLDs being engaged.
  - \* .sg, .th, .tw, .cn, .in, .sa, .nz
- \* APTLD74 in .uz
- \* CDNC
- \* EAI Forum in Guangzhou in January
- \* UA Forum in Hong Kong in January
- \* Email Forum in Thailand in June
- \* India: IAMAI events, Jaipur Forum

Q&A

[www.uasg.tech](http://www.uasg.tech)

# AOB

# Engage with ICANN



One World, One Internet

[subscribe@apacspace.asia](mailto:subscribe@apacspace.asia)

Visit us at [icann.org](http://icann.org)



[@icann](https://twitter.com/icann)



[facebook.com/icannorg](https://facebook.com/icannorg)



[youtube.com/icannnews](https://youtube.com/icannnews)



[flickr.com/icann](https://flickr.com/icann)



[linkedin/company/icann](https://linkedin/company/icann)



[slideshare/icannpresentations](https://slideshare/icannpresentations)



[soundcloud/icann](https://soundcloud/icann)