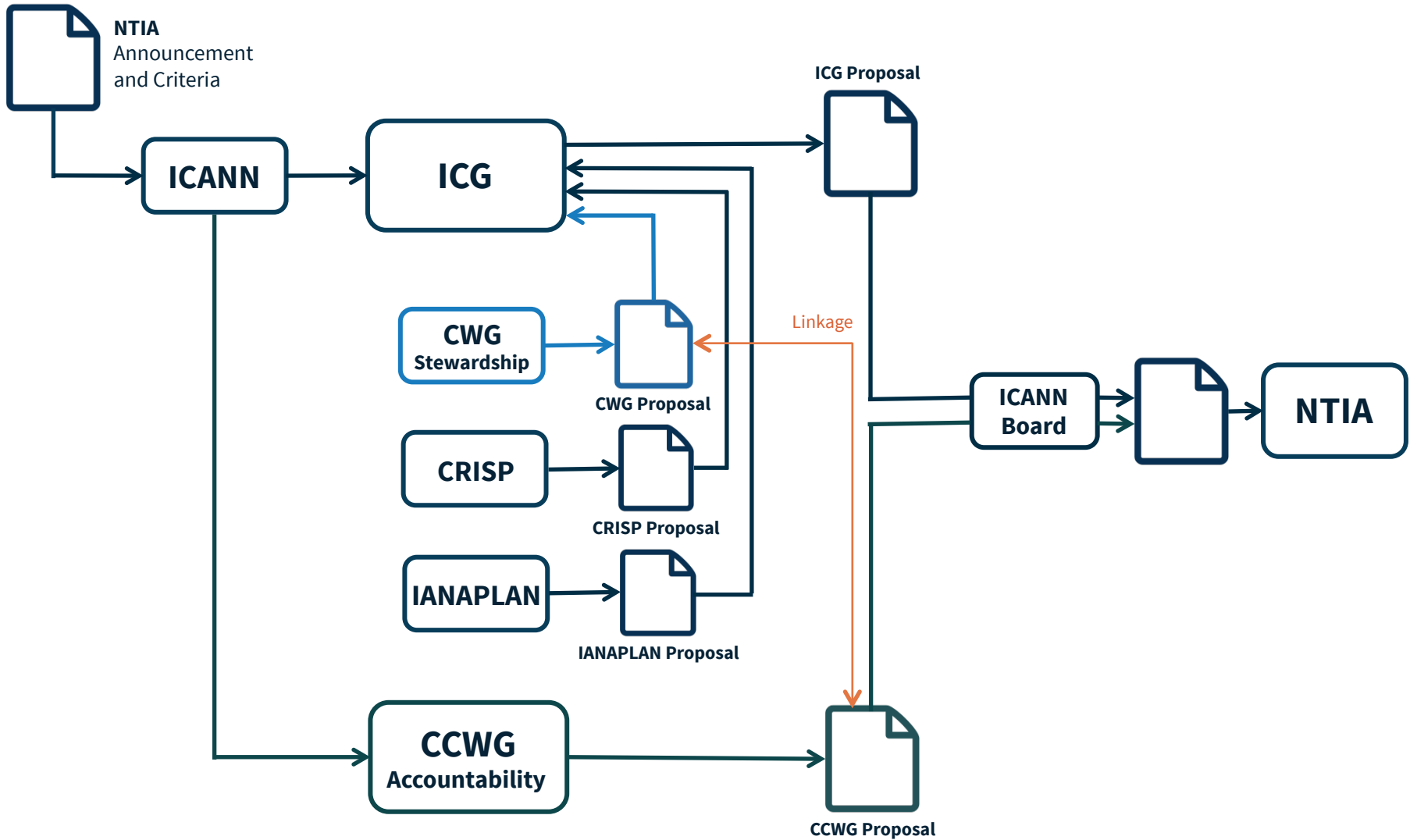


# Part of a Process



# Linkage & Coordination with CCWG-Accountability

**1**

## **ICANN Budget**

Community rights regarding development and consideration

**4**

## **Customer Standing Committee (CSC)**

Incorporated into the bylaws

**2**

## **ICANN Board**

Community rights, specifically to appoint/remove members, recall entire Board

**5**

## **Appeals Mechanism**

Independent Review Panel should be made applicable to IANA Functions and accessible by TLD managers

**3**

## **IANA Function Review**

Incorporated into the bylaws

**6**

## **Fundamental bylaws**

All foregoing mechanisms are to be provided for in the bylaws as “fundamental bylaws”

**The CWG-Stewardship’s proposal is expressly conditioned upon the outcomes of the CCWG-Accountability.**