



ICANN | 53 
Buenos Aires

21-25 JUNE 2015





Welcome to the Briefing on Key Strategic Initiatives

Strategic Initiatives Dept. | Staff Briefing | 5 June 2015

Agenda

1

NTIA IANA Functions
Stewardship Transition
and Enhancing ICANN
Accountability

2

AoC Reviews

3

Organizational Reviews

4

WHOIS & CCT Review
Update

5

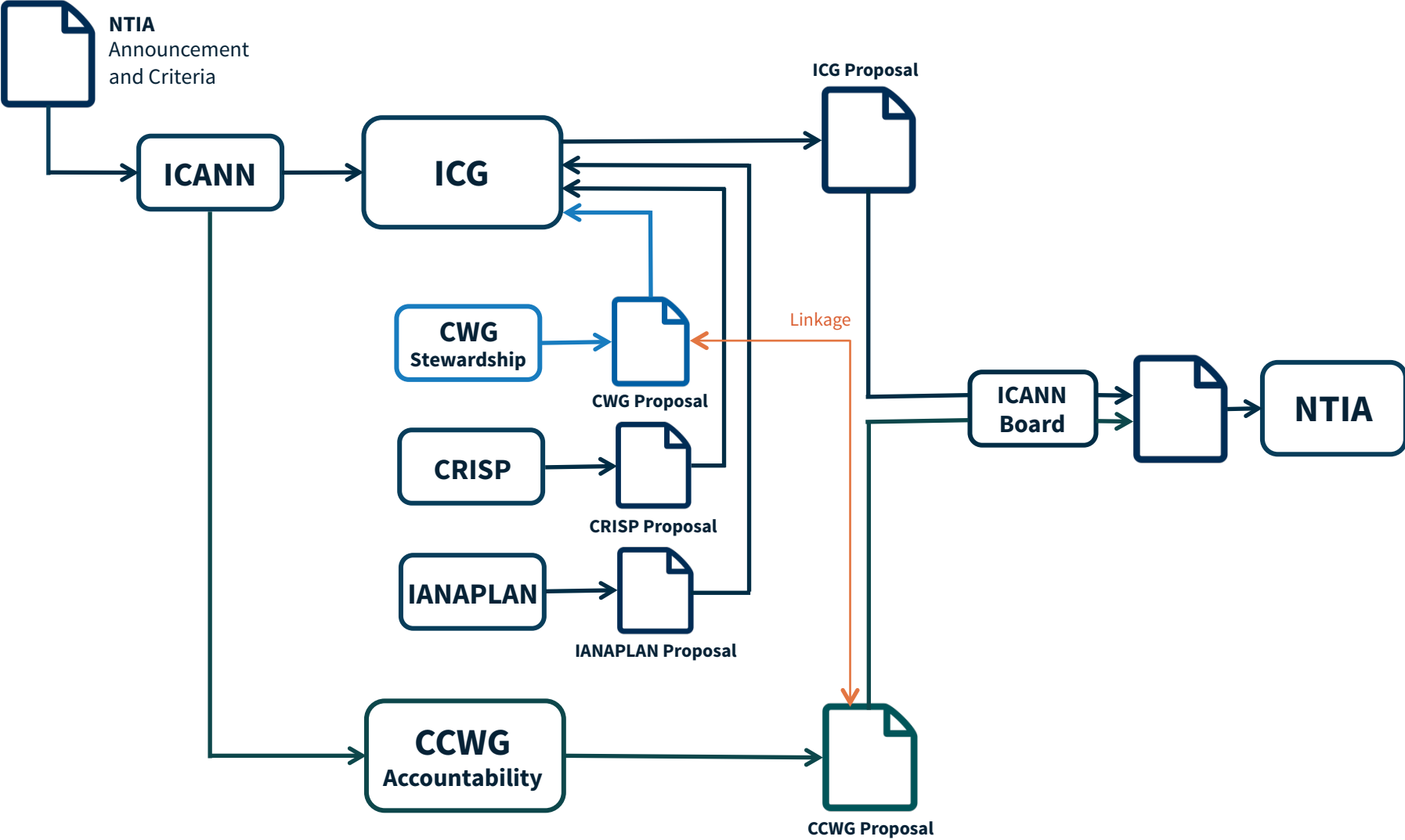
Q&A



1. NTIA IANA Functions Stewardship Transition and Enhancing ICANN Accountability

Theresa Swinehart

Part of a Process





2. AoC Reviews

Theresa Swinehart

AoC Reviews: What's coming up

Review Schedule & Process Improvements

- Proposed Schedule and Process/Operational Improvements [posted](#) for Public Comment – open until 2 July; Board action targeted for 28 July

WHOIS2

- Assemble Team | Plan - starting 30 Sept with Call for Volunteers

SSR2

- Assemble Team | Plan - starting 30 Sept with Call for Volunteers

Competition, Consumer Choice, Consumer Trust

- Assemble Team | Plan - starting 30 Sept with Call for Volunteers

AoC Reviews: What's going on

WHOIS2 – 16 Recommendations received 11 May 2012 (8 November 2012 – Board instructions to implement)

- 57% Complete - 9 Recommendation implementation projects completed, part of standard operations
- 37% In Progress - 6 Recommendation implementation projects in progress*
- 1 Recommendation implementation in planning

SSR2 – 28 Recommendations received 21 June 2012 (18 October 2012 – Board instructions to implement)

- 54% Complete – 15 Recommendation implementation projects completed, part of standard operations
- 46% In Progress – 13 Recommendation implementation projects in progress
- 0% Planning – 0 Recommendation implementation in planning

ATRT2 – 12 Recommendations received 31 December 2013 (26 June 2014 – Board instructions to implement)

- 0 % Complete – 0 Recommendation implementation projects completed, part of standard operations
- 100% In Progress – 12 Recommendation implementation projects in progress
- 0% Planning – 0 Recommendation implementation in planning



3. Organizational Reviews

Theresa Swinehart

Organizational Reviews: 2015

Review Schedule and Process Improvements

- Proposed Schedule and Process/Operational Improvements [posted](#) for Public Comment– open until 2 July; Board action targeted for 28 July

GNSO2 – in process

- Draft Report [posted](#) for Public Comment – open until 20 July
- Final Report – 31 August
- Plan for implementation after Board action

At-Large2 - in process, proposed slower schedule

- Slower schedule
- Working Party conducts self-assessment and review prep until November 2015
- Competitive bidding November 2015-March 2016

NomCom2 | SSAC | RSSAC – proposed to be deferred until FY2017

- Planning proposed to start in 2016



- ⦿ AoC and Organizational Reviews: Supporting ICANN Accountability: Wednesday 24 June @ 10:30-Noon
- ⦿ AoC Review - Improved web content on icann.org



4. WHOIS & CCT Review Update

Margie Milam

Expert Working Group

The Expert Working Group (EWG) has completed its task; it has proposed a **Next Generation System** to replace today's WHOIS. The EWG's Mandate was defined as:



Reexamine purpose & provision of gTLD registration data



Envision a next-generation solution to better serve global Internet community needs



Create a foundation to help the GNSO create new policy

Now that the Final Report has been released (goo.gl/NZERca), the following next steps are to be undertaken.



Board Initiated GNSO PDP- EWG as the foundation, to use detailed framework developed with the GNSO



Staff Issue Report to be published prior to BA for Public Comment



Board WHOIS Group to be formed to oversee PDP and the remaining WHOIS

Consumer Choice, Competition & Trust Review of New GTLD Program

Community Metrics

- Board Approved in Singapore
- Online Portal to Display Data

Consumer Survey

- **Nielson Firm**
- Baseline findings available
- Follow-up 1 year

Economic Survey

- **The Analysis Group**
- Examining Price & Competition
- Survey to be done Jun 2015

Selection of Team

- GAC Chair/ICANN CEO
- SO/AC Reps
- Independent Experts

Potential Issues

- Relationship to other Reviews & Processes
- Size of Team
- Community Bandwith

Buenos Aires Session

New gTLD Program
Reviews – Mon 22
Jun 15:45

A world map where the continents are defined by a network of white dots and lines, resembling a social or data network. The background is a solid dark blue. The text '5. Q&A' is overlaid on the left side of the map.

5. Q&A

A world map where the continents are defined by a network of interconnected blue dots and thin lines, set against a dark blue background. The dots vary in size, and the lines connect them to form a complex web that outlines the major landmasses of the world.

Thank You!