

# CWG-Stewardship

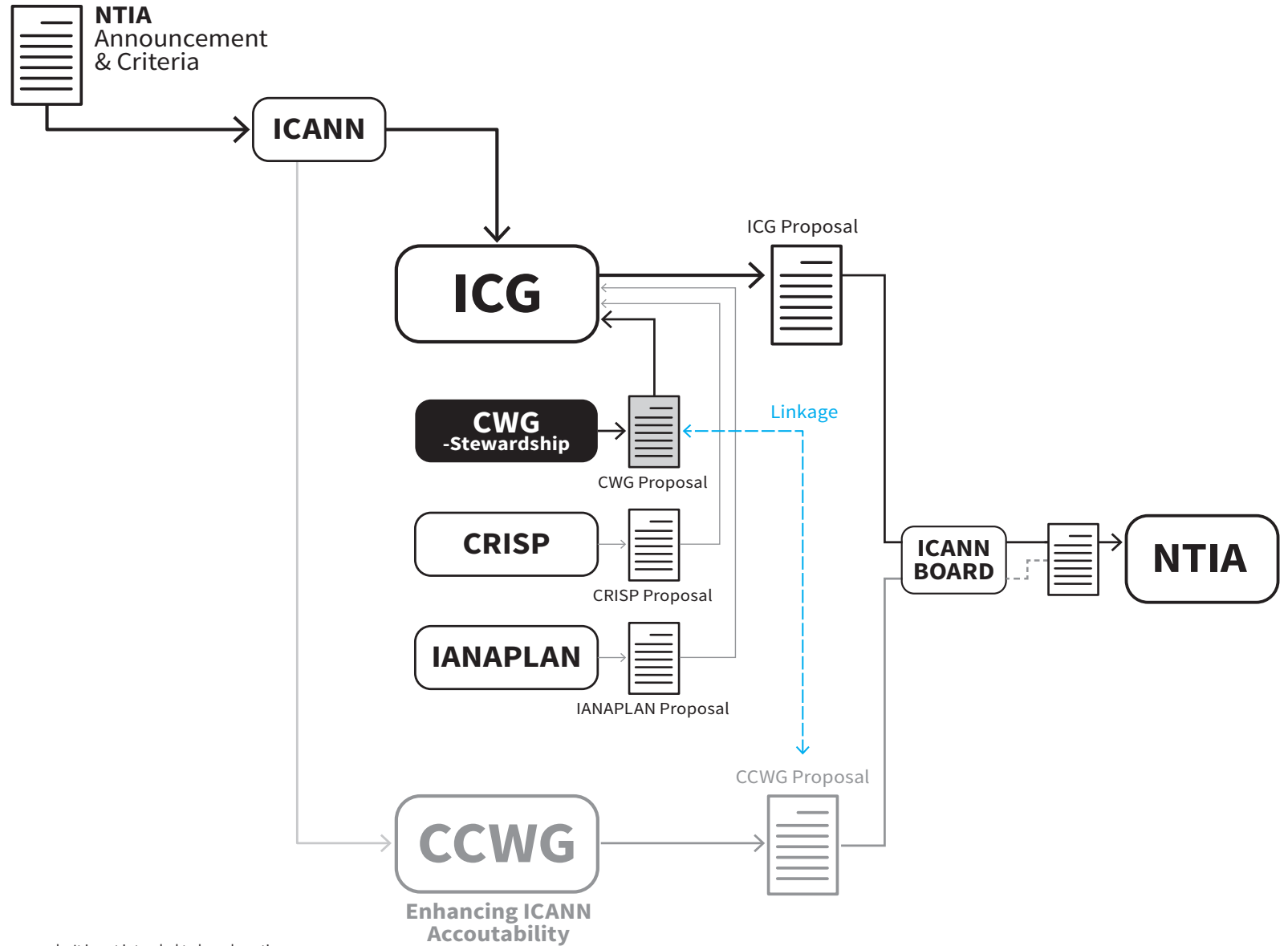
Community Working Group to Develop an IANA Stewardship Transition Proposal on Naming Related Functions

## Work Process • Post-Istanbul Meeting Update

April 2, 2015 • v2.0

# CWG-Stewardship: General Overview

April 2, 2015 • v2.0



Note: the information on this page is for illustrative purposes only. It is not intended to be exhaustive.

# CWG-Stewardship: **Goal & Scope**

April 2, 2015 • v2.0

## The Goal of CWG-Stewardship

**Produce a consolidated transition proposal for the elements of the IANA Functions relating to the Domain Name System.**

The proposal must meet the needs of:

- The naming community in general
- All of the CWG's chartering organizations (ccNSO, SSAC, GNSO, ALAC, GAC)
- Direct consumers of IANA naming services including gTLDs and ccTLDs

## The Scope of CWG-Stewardship

Based on a summary and description of the IANA functions drawn from the NTIA's statement of work for that IANA contract, IANA performs 11 individual functions.

**The CWG is focused on 2-9 and 11**  
(but may also comment on 1 or 10).

1. Coordinates the assignment of technical protocol parameters including the management of the Address and Routing Parameter Area (ARPA) TLD;
2. Performs administrative functions associated with root zone management;
3. Manages root zone file change requests;
4. Manages "WHOIS" change requests and the WHOIS database;
5. Implements changes in the assignment of Country Code Top Level-Domains (ccTLDs) in accordance with established policy;
6. Implements decisions related to the delegation and redelegation of Generic Top Level Domain (gTLD) in accordance with ICANN policy;
7. Undertakes projects to increase root zone automation;
8. Manages Root Domain Name System Security Extensions (DNSSEC) keys;
9. Provides a Customer Service Complaint Resolution Process (CSCR);
10. Allocates Internet numbering resources; and
11. Performs other services (operate the .INTLD, implement modifications in performance of the IANA

## CWG-Stewardship: **CCWG Linkage & Coordination**

April 2, 2015 • v2.0

**The Chairs recognize that continued and close engagement with the CCWG-Accountability is essential to the elaboration of a complete proposal, since aspects of the CWG proposal will be conditional on the output of the CCWG-Accountability. Giving the CCWG-Accountability the input they have requested a key next step, as will be keeping the CCWG apprised of the evolution of key aspects of the proposal which are linked to their work.**

In a joint meeting between CCWG-Accountability and CWG-Stewardship Chairs on 25 March, the CCWG-Accountability Chairs specifically requested input from, and coordination with, CWG-Stewardship in the following four areas:

- ICANN budget (in particular, the requirement for transparency around cost allocation in relation to the IANA functions)
- Community empowerment mechanisms (in particular, relating to a confidence vote option)
- Review and redress mechanisms (in particular, relating to a 'fundamental bylaw' mechanism)
- Appeal mechanisms (especially with regard to ccTLD related issues)

# CWG-Stewardship: Our Progress to Date • Pre-Istanbul Meeting

April 2, 2015 • v2.0

Note: the information on this page is for illustrative purposes only. It is not intended to be exhaustive.



**19** Members



**125** Participants



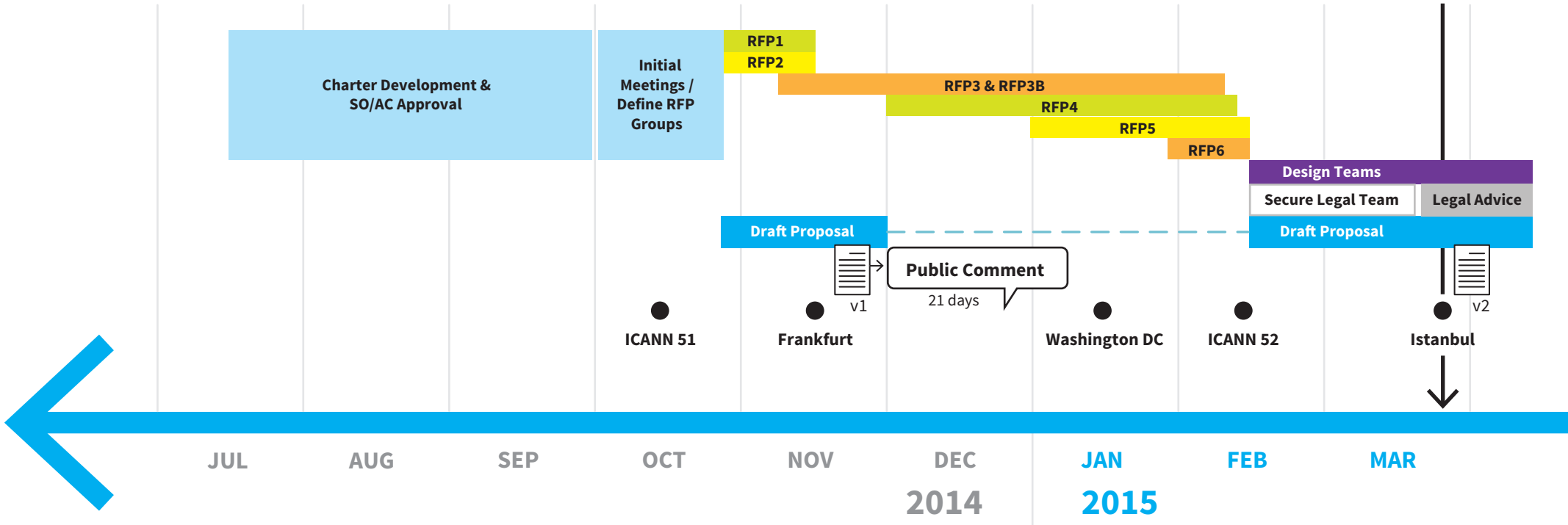
**54** Total Calls/ Meetings



**3,302** Working Hours



**3,189** Total Mailing List Exchanges



# CWG-Stewardship: **Task at Hand in Istanbul**

April 2, 2015 • v2.0

**What is needed** to make the IANA Stewardship Transition happen?

**Interdependencies** between:

**Design Teams**

Complementary workstreams

**Legal Advice**

On post-transition structure

**CWG-Stewardship > CCWG Linkage**

Opportunity to leverage each other's work & not duplicate efforts



**Istanbul**

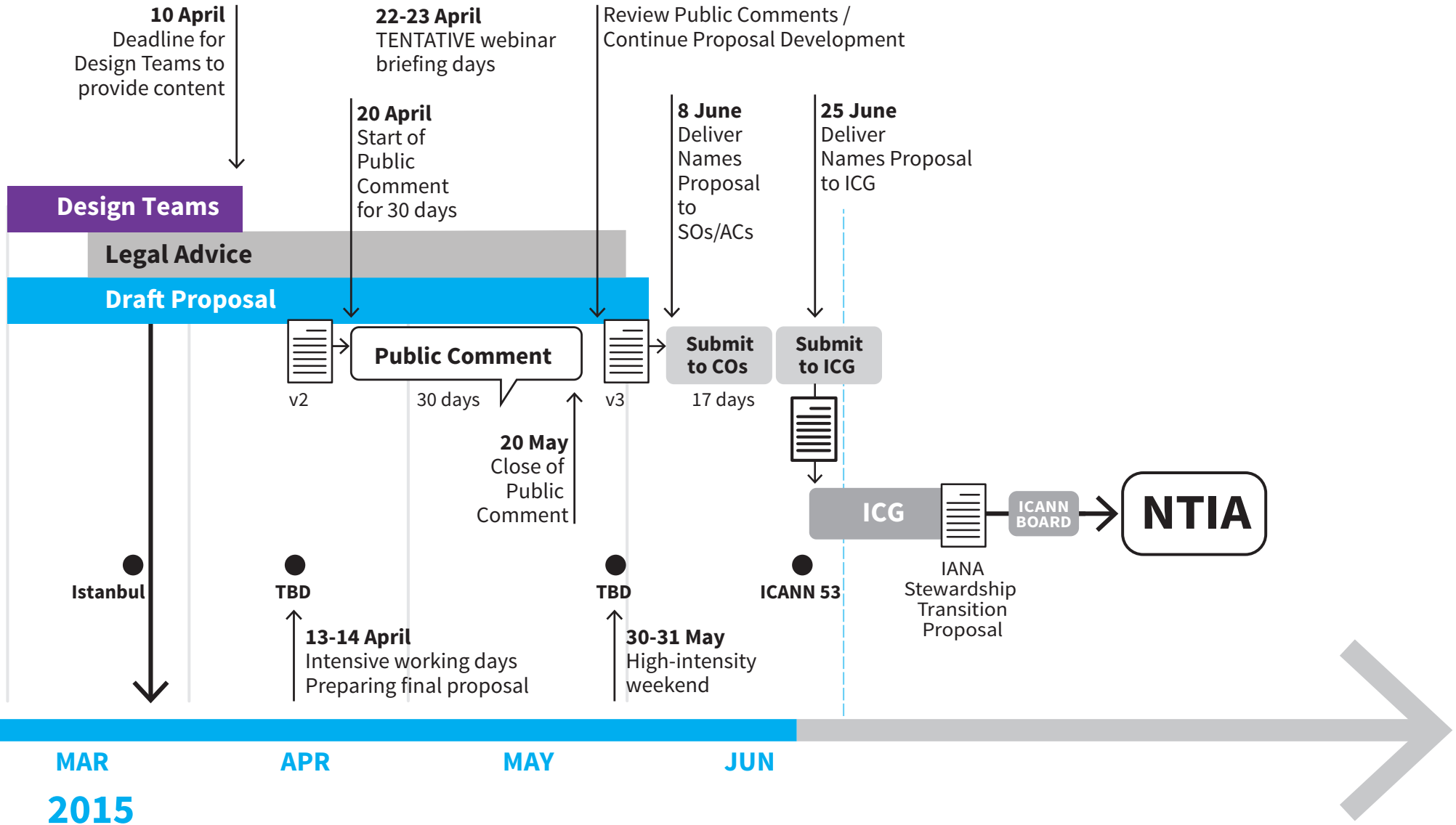
26-27 March, 2015



# CWG-Stewardship: Next Steps

April 2, 2015 • v2.0

Note: the information on this page is for illustrative purposes only. It is not intended to be exhaustive.



# CWG-Stewardship: Focused on Producing a Proposal

April 2, 2015 • v2.0

CWG - Draft Transition Plan V2.2

## Utilizing Design Teams

<b>III. PROPOSED POST-TRANSITION OVERSIGHT AND ACCOUNTABILITY</b> .....	<b>17</b>
<b>III.A Review of existing oversight and accountability mechanisms post-transition</b> .....	<b>17</b>
<b>III.A.1 Oversight and Accountability - IANA Functions Contract for NTIA</b> .....	<b>17</b>
<b>III.A.2 Oversight and Accountability - NTIA acting as Root Zone Management Process Administrator.</b> .....	<b>39</b>
<b>III.A.3 Oversight and Accountability – Binding arbitration included in TLD contracts</b> .....	<b>39</b>
<b>III.A.4 Oversight and Accountability – Applicability of local law for the administration by the IANA Functions Operator of ccTLDs associated with a specific country or territory (ccTLDs).</b> .....	<b>39</b>

Completed

In Progress

Response to the IANA Stewardship Transition Coordination Group Request for Proposals on the IANA Stewardship Transition from the Cross Community Working Group (CWG) on Naming Related Functions

ABSTRACT .....	4
PROPOSAL TYPE .....	4
<b>I. THE COMMUNITY'S USE OF THE IANA</b> .....	<b>4</b>
I.A Root Zone File Change Request Management – not including delegation and redelegation (NTIA IANA Functions Contract: C.2.9.2.a).....	4
I.B Root Zone "WHOIS" Change Request and Database Management (NTIA IANA Functions Contract: C.2.9.2.b).....	4
I.C Delegation and Redelegation of a Country Code Top Level-Domain (ccTLD) (NTIA IANA Functions Contract: C.2.9.2.c).....	5
I.D Delegation and Redelegation of a Generic Top Level Domain (gTLD) (NTIA IANA Functions Contract: C.2.9.2.d).....	5
I.E Redelegation and Operation of the INT TLD (NTIA IANA Functions Contract: C.2.9.4).....	6
I.F Root Domain Name System Security Extensions (DNSSEC) Key Management (NTIA IANA Functions Contract: C.2.9.2.f).....	6
I.G Root Zone Automation (NTIA IANA Functions Contract: C.2.9.2.g).....	6
I.H Customer Service Complaint Resolution Process (CSCRP) (NTIA IANA Functions Contract: C.2.9.2.g).....	7
I.I Management of the Repository of IDN Practices (IANA service or activity beyond the scope of the IANA functions contract).....	7
I.J Retirement of the Delegation of De-Allocated ISO 3166-1 ccTLD Codes (IANA service or activity beyond the scope of the IANA functions contract).....	7
<b>II. EXISTING PRE-TRANSITION ARRANGEMENTS</b> .....	<b>8</b>
II.A Policy Sources .....	8
II.A.1 RFC1591 and Interpretations.....	8
II.A.2 Government Advisory Committee (GAC) - Principles and Guidelines for the Delegation and Administration of Country Code Top Level Domains 2002.....	9
II.A.3 New gTLD Applicant Guidebook.....	10
II.A.4 Fast Track (for IDN ccTLDs).....	11
II.B Oversight and Accountability .....	12
II.B.1 Definitions of Oversight and Accountability .....	12
II.B.2 Oversight and Accountability - IANA Functions Contract for NTIA.....	12
II.B.3 Oversight and Accountability - NTIA acting as Root Zone Management Process Administrator.....	14
II.B.4 Oversight and Accountability – Binding arbitration included in TLD contracts .....	14
II.B.5 Oversight and Accountability – Applicability of local law for the administration by the IANA Functions Operator of ccTLDs associated with a specific country or territory (ccTLDs).....	15
<b>III. PROPOSED POST-TRANSITION OVERSIGHT AND ACCOUNTABILITY</b> .....	<b>17</b>
III.A Review of existing oversight and accountability mechanisms post-transition.....	17
III.A.1 Oversight and Accountability - IANA Functions Contract for NTIA .....	17
III.A.2 Oversight and Accountability - NTIA acting as Root Zone Management Process Administrator.....	39
III.A.3 Oversight and Accountability – Binding arbitration included in TLD contracts .....	39
III.A.4 Oversight and Accountability – Applicability of local law for the administration by the IANA Functions Operator of ccTLDs associated with a specific country or territory (ccTLDs).....	39
<b>IV. TRANSITION IMPLICATIONS – UNDER DEVELOPMENT</b> .....	<b>41</b>
IV.A Operational requirements to achieve continuity of service throughout the transition – under development.....	41
<b>V. NTIA REQUIREMENTS - UNDER DEVELOPMENT</b> .....	<b>41</b>
<b>VI. COMMUNITY PROCESS (DRAFT AND UNDER DEVELOPMENT)</b> .....	<b>42</b>
VI.A The steps that were taken to develop the proposal and to determine consensus .....	42
VI.A.1 Establishing the CWG .....	42
VI.A.2 Members and Participants .....	42
VI.A.3 Working methods of the CWG.....	42
VI.A.4 Determining Consensus.....	42
VI.B Links to announcements, agendas, mailing lists, consultations and meeting proceedings.....	42
VI.B.1 Meetings.....	42
VI.B.2 Public Consultations.....	42
VI.B.3 Webinars and other public presentations.....	42
VI.C An assessment of the level of consensus behind your community's proposal, including a description of areas of contention or disagreement.....	43
<b>APPENDIX A - Baseline Requirements for DNSSEC in the Authoritative Root Zone</b>	
Appendix: Definitions	



# CWG-Stewardship: Design Teams Status • Pre-Istanbul Meeting

April 2, 2015 • v2.0

	Priority	Status	Dependencies	Links
<b>A</b> IANA Service Level Expectations	<b>1</b> (Final)	Submitted*	Dependent on <b>[D]</b>	Links with <b>[C] [M] [N]</b>
<b>B</b> Delegations / Redelegations Appeal	<b>1</b> (Final)	In progress		
<b>C</b> Customer Standing Committee	<b>1</b> (Final)	Submitted*	Needs input from <b>[A]</b> Dependent on <b>[D] [M]</b>	Links with <b>[J] [H] [N]</b>
<b>D</b> Authorization Function	<b>1</b>	Submitted*		
<b>E</b> SAC 69	–	Submitted*	Needs input from <b>[Red Team]</b> Dependent on <b>[A] [D]</b>	
<b>F</b> Relationships NTIA/IANA/Root Zone Maintainer	<b>1</b> (Provisional)	–		
<b>G</b> IANA Intellectual Property Rights	<b>2</b> (Provisional)	To be started		
<b>H</b> .INT Operations	<b>2</b> (Provisional)	To be started		
<b>I</b> Competition policy and Conflicts of Interest	<b>2</b> (Provisional)	To be started		
<b>J</b> CSC/MRT confidentiality and conflicts of interest	<b>2</b> (Provisional)	To be started		Links with <b>[C]</b>
<b>K</b> OFAC Licensing	<b>2</b>	To be started		
<b>L</b> IANA Function Separation Mechanism	<b>2</b>	Submitted*		
<b>M</b> Escalation Mechanisms	<b>1</b> (Provisional)	Submitted*		Links with <b>[A] [C]</b>
<b>N</b> Periodic Review of the IANA Functions	<b>1</b> (Provisional)	In progress		Links with <b>[A] [C]</b>
<b>●</b> Red Team	–	To be started		Links with <b>[E]</b>

\*Proposed content was submitted for review in Istanbul

# CWG-Stewardship: Design Teams Status • End of Istanbul Meeting

April 2, 2015 • v2.0

	Priority	Status	Proposed Status	Links/Dependencies	Deadline
<b>A</b> IANA Service Level Expectations	1	Submitted*	Prov. Completed	C, M, N / D	N/A
<b>B</b> Delegations / Redelegations Appeal	1	In Progress	In Progress		10 April
<b>C</b> Customer Standing Committee	1	Submitted*	In Progress	J, H, N / A, D, M	10 April
<b>D</b> Authorization Function	1	Submitted*	Prov. Completed	F	–
<b>E</b> SAC 69	1	Submitted*	Completed	Red Team	–
<b>F</b> Relationships NTIA/IANA/Root Zone Maintainer	1	To Be Started	In Progress	/ D	10 April
<b>G</b> IANA Intellectual Property Rights	2	To Be Started	To Be Started		–
<b>H</b> .INT Operations	2	To Be Started	To Be Started		–
<b>I</b> Competition policy and Conflicts of Interest	2	To Be Started	To Be Started		–
<b>J</b> CSC/MRT confidentiality and conflicts of interest	2	To Be Started	To Be Started		–
<b>K</b> OFAC Licensing	2	To Be Started	To Be Started		–
<b>L</b> IANA Function Separation Mechanism	1	In Progress	In Progress		10 April
<b>M</b> Escalation Mechanisms	1	Submitted*	In Progress	A, C	10 April
<b>N</b> Periodic Review of the IANA Functions	1	In Progress	In Progress	A, C	10 April
<b>O</b> IANA Budget <b>[NEW!]</b>	–	To Be Started	To Be Started		10 April
<b>●</b> Red Team	–	To Be Started	To Be Started		10 April

\*Proposed content was submitted for review in Istanbul