

# Agile Registration Data Directory Service

Donuts & Edgemoor Research Institute

Steve Crocker, ERI

13 June 2022

## What: Simple Registration Data Directory Service

- Minimal design
- Functional quickly
- Voluntary participation
- Adaptable
- Expandable
- Open source

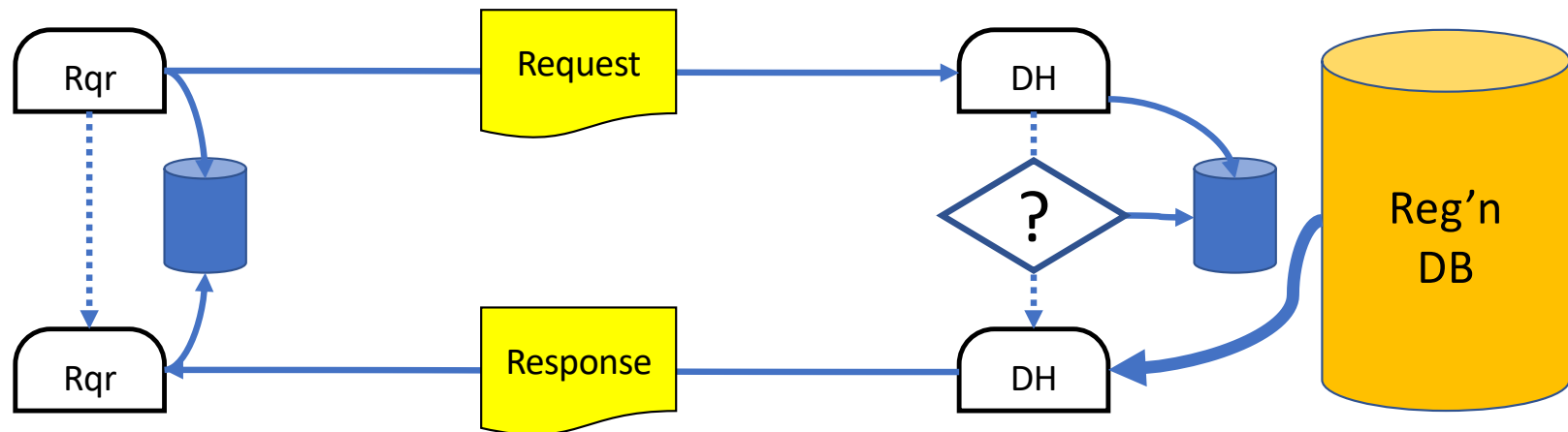
## Why: Benefit the domain name community

- Provide useful functionality
- Provide platform to gain experience
- Stimulate concrete discussions
  
- Does not compete or supplants any ICANN policy work, past, present, or future.
- Intended to inform and complement this work.

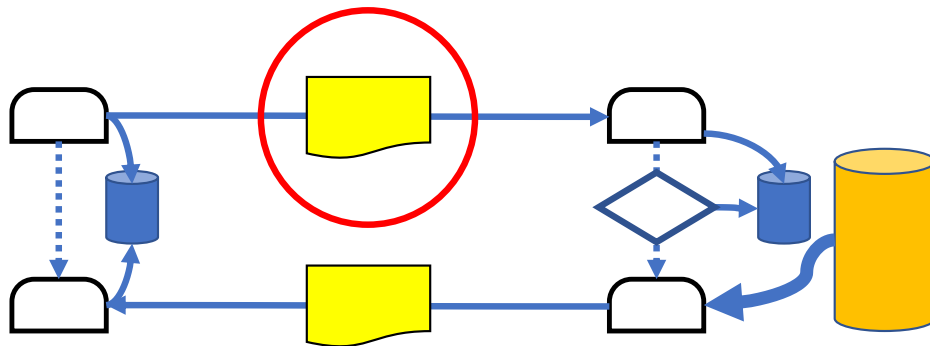
# Basic Structure

- System to simplify the submission, management, and response to requests for registration data
  - Submission
  - Response
  - Credential validation
- Use existing standards as much as possible

# Basic Request and Response Cycle

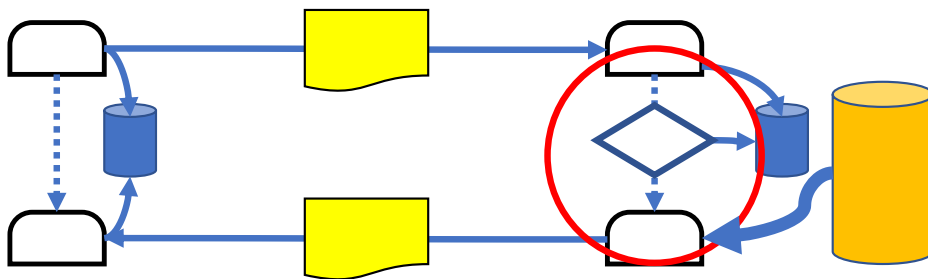


# Requests



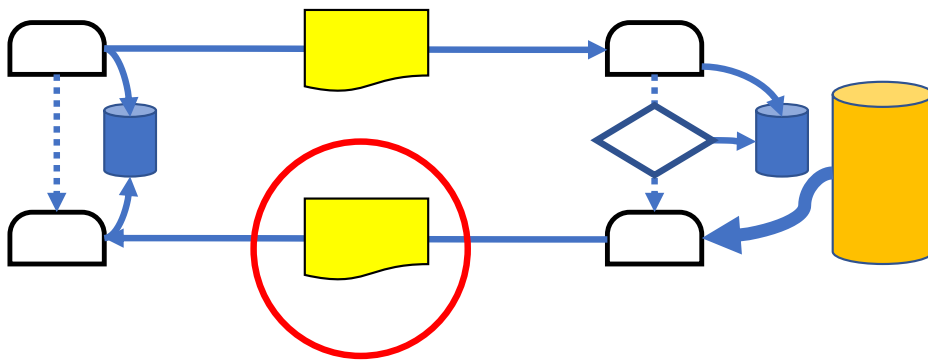
- Requester ID
- Purpose
- Requested Data/Action

# Decision



- Identity Verified?
- Purpose acceptable?
- Data/Action permitted?
  
- Formulate response
- Keep a record
  
- Respond

# Response

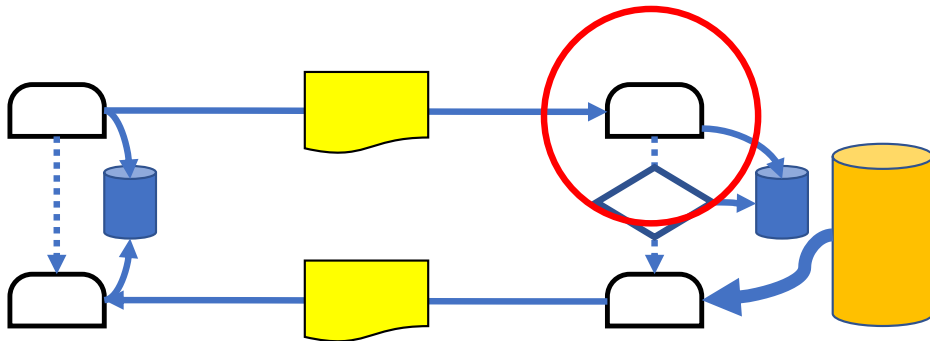


- Keep a record
- Success?
  - Yes, Partial, No
- Time and other stats



# Interfaces

- API based (RDAP)
- Web front end



# Nominal Schedule

	1Q	2Q	3Q	4Q
2022			Requirements & basic system design	Development
2023	Beta test	Revision	Launch	

# The Ask: Participation and Support

- Inputs encouraged – what do you need?
  - Data Holders
  - Requesters
  - Privacy Advocates
- Reviewers wanted
- Participation in the operation
  
- All voluntary
- Sharing of results

# Comments and Questions