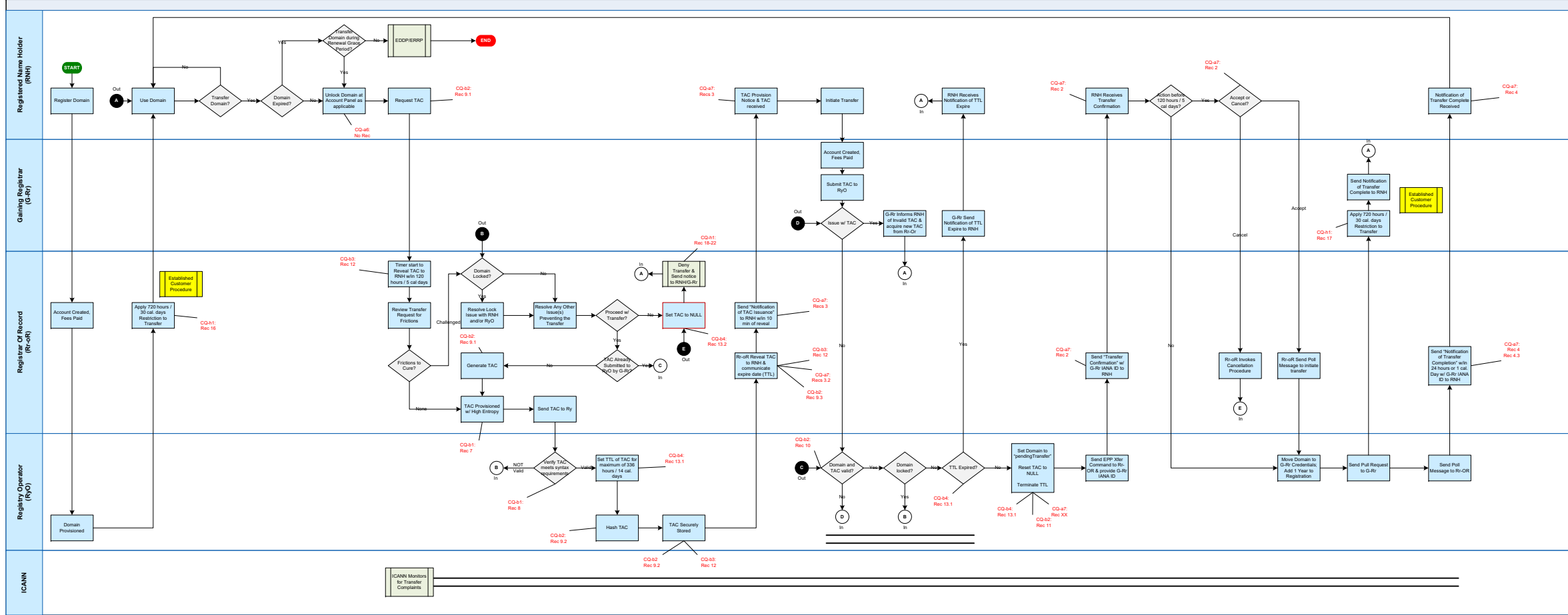


Transfer Policy (Inter-Registrar) – Proposed



- Recommendations not on Chart:**
 CQ-01: Rec 1 – Elimination of Gaining FOA
 CQ-02: No Recs
 CQ-03: No Recs
 CQ-04: No Recs
 CQ-05: No Recs
 CQ-06: No Recs
 CQ-07: No Recs
 CQ-08: No Recs
 CQ-09: No Recs
 CQ-10: No Recs
 CQ-11: Rec 5 – Transfer Authorization Code (TAC)
 CQ-12: Rec 6 – TAC definition
 CQ-13: –
 CQ-14: –
 CQ-15: No Recs
 CQ-16: No Recs
 CQ-17: No Recs
 CQ-18: No Recs
 CQ-19: No Recs
 CQ-20: No Recs
 CQ-21: Rec 14 – Terminology updates to RDDS or Registration Data
 CQ-22: Rec 15 – Removal of Admin & Tech contacts
 CQ-23: –
 CQ-24: No Recs
 CQ-25: No Recs
 CQ-26: No Recs
 CQ-27: No Recs
 CQ-28: No Recs
 CQ-29: No Recs
 CQ-30: No Recs
 CQ-31: Rec 16 – TAC definition
 CQ-32: –
 CQ-33: –
 CQ-34: –
 CQ-35: No Recs
 CQ-36: No Recs
 CQ-37: No Recs
 CQ-38: No Recs
 CQ-39: No Recs
 CQ-40: No Recs
 CQ-41: Rec 14 – Terminology updates to RDDS or Registration Data
 CQ-42: Rec 15 – Removal of Admin & Tech contacts
 CQ-43: –
 CQ-44: No Recs
- Callout Legend:**
 CQ = Charter Question
 xx = CQ category (lower-case letter & number)
 No Recs = No Recommendations
 Rec. xx = Recommendation number assigned in Final Report